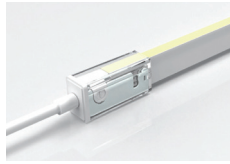
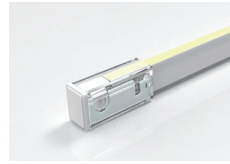


NEON MICRO X | IP67 DIY SNAP CONNECTORS

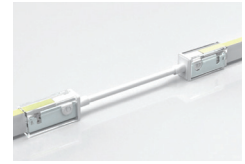
DIY SNAP CONNECTORS CAN BE PRE-FITTED AT FACTORY OR FITTED ON-SITE (SEE NEON X INSTALLATION GUIDE FOR SNAP CONNECTOR INSTRUCTIONS). SUITABLE FOR OUTDOOR APPLICATIONS. FOR UNDERWATER APPLICATIONS, USE IP68 INJECTION INJECTION CONNECTIONS ONLY. CABLE LENGTHS GIVEN ARE STANDARD, CAN BE MADE LONGER BY REQUEST.



DIRECT ENTRY



END CAP



FLEXIBLE
CONNECTOR

CODES

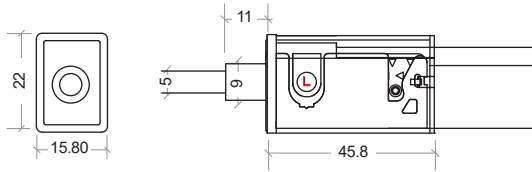
SINGLE COLOUR

NEON-SNAP-PF-SC

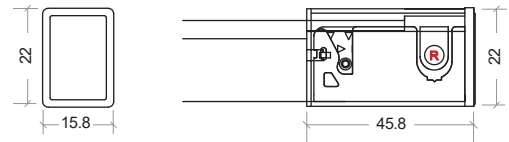
NEON-SNAP-EC-SC

NEON-SNAP-FC-SC

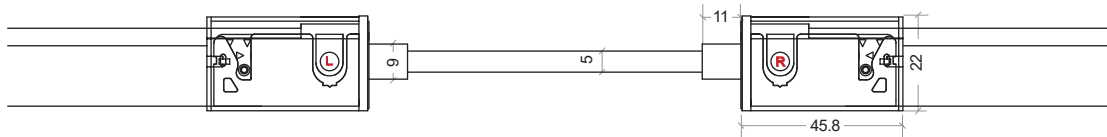
DIRECT ENTRY
600mm cable



END CAP



FLEXIBLE CONNECTOR
300mm cable



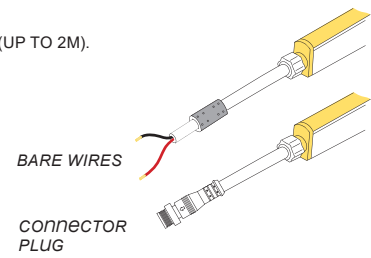
NEON MICRO X | IP68 INJECTION MOULDING

REQUIRES FITTING AT FACTORY. LEAD TIMES APPLY. SUITABLE FOR OUTDOOR & SUBMERGED APPLICATIONS (UP TO 2M). CABLE LENGTHS GIVEN ARE STANDARD, CAN BE MADE LONGER BY REQUEST.

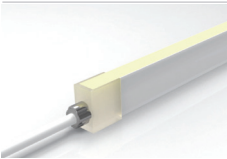
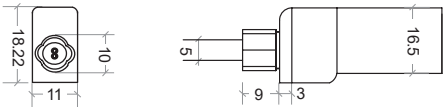
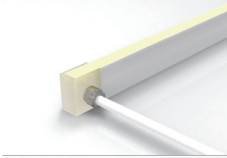
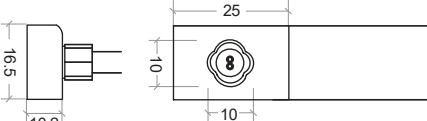
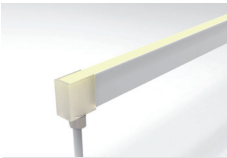
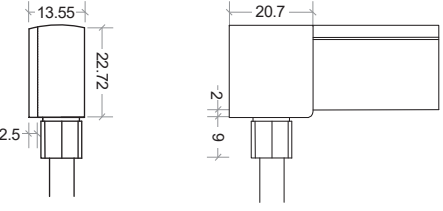
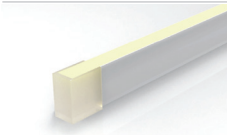
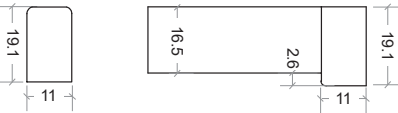
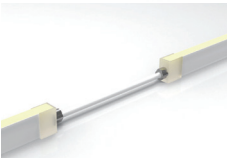
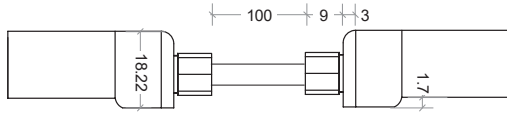

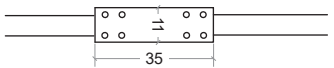
For IP68 injection moulding there are two cable options available - bare wires or plugs. The below chart shows the injection moulding dimensions for both types.

Bare end cables come with a standard cable length of 600mm. It is recommended to ensure the feeder cable is long enough to reach to where connections can be made (cables can be made longer upon request).

IP68 Connector cable plugs are designed for "plug-and-play" type installations (see next page for information about the plug connectors).



Injection moulding increases product width/height at connection. If using profile, connection end may not fit and will need to extend out of profile.

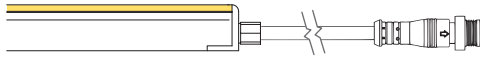
ACCESSORY	CABLE LENGTH / FEATURES	DIMENSION DIAGRAM
 DIRECT ENTRY	600mm with waterproof interrupter, ending in bare wires	
	300mm with IP68 male connector plug*	
 SIDE ENTRY	600mm with waterproof interrupter, ending in bare wires	
	300mm with IP68 connector plug* (male or female depending on left or right side)	
 BOTTOM ENTRY	600mm with waterproof interrupter, ending in bare wires	
	300mm with IP68 male connector plug*	
 END CAP	-	
 FLEXIBLE CONNECTOR <i>Single Colour Only</i>	100mm (Cable can be made longer by request)	
 WATERPROOF METAL FERRULE	This stainless steel waterproof metal ferrule prevents water from running down the cable. Only included for standard IP68 injection ending in bare wires	

*See next page for information about IP68 injection moulding cable connector plugs

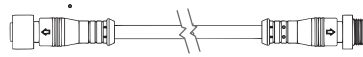
NEON MICRO X | IP68 INJECTION MOULDING - CONNECTOR PLUGS

CABLE LENGTHS GIVEN ARE STANDARD, CAN BE MADE LONGER BY REQUEST.

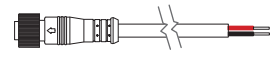
Connector plugs have an IP68 rating (when fastened) and are designed for “plug-and-play” type installations. As standard, the Neon IP68 injection moulded connector plugs are male. The installer can wire in an **IP68 female connector plug to bare wire** at the start location (power supply/control centre) then plug the two together (ensuring stainless steel locking ring is tight). Depending on required cable length an extension cable may be required.



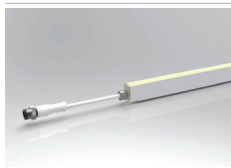
NEON WITH MALE IP68 CONNECTOR PLUG



OPTIONAL: IP68 CONNECTOR PLUG EXTENSION CABLE



IP68 FEMALE CONNECTOR PLUG TO BARE WIRE



IP68 CONNECTOR PLUGS

(male or female depending on power feed end). Male as standard.

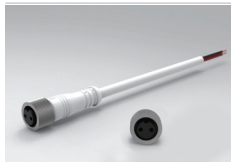
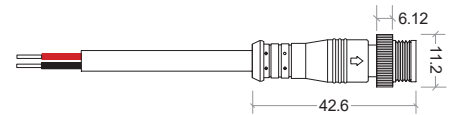
Cable Length 300mm

These connect to the corresponding IP68 Connector plug to bare Wire or to an IP68 Connector plug Extension cable



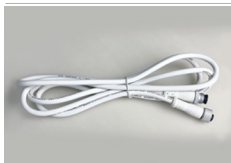
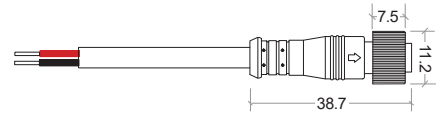
IP68 MALE CONNECTOR PLUG TO BARE WIRE

300mm



IP68 FEMALE CONNECTOR PLUG TO BARE WIRE

300mm



IP68 CONNECTOR PLUG EXTENSION CABLE

1m / 2m / 5m / 10m



Female & Male Connector plugs

The male/female waterproof connector plug is made by two layers of injection molding with high viscosity TPU and high density nylon material inside.

After locked by its stainless steel locking ring, it has outstanding reliability and waterproof performance with IP68 rating.



Double layer high-viscosity TPU

Stainless steel

Nylon material

Female Connector

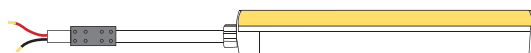
Sold copper Pins

Male Connector

SINGLE / DOUBLE FEED

THE MAXIMUM RUN LENGTH PER POWER FEED CAN BE DOUBLED BY POWERING FROM BOTH ENDS.

SINGLE FEED



DC input

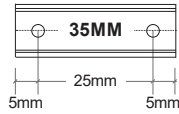
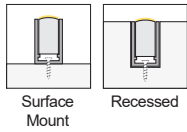
DOUBLE FEED

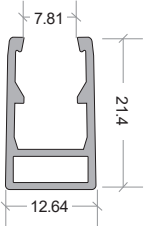


DC input

DC input

NEON MICRO X | MOUNTING ACCESSORIES



ACCESSORY	CODE / LENGTH	SCREW HOLE	HOLE QTY	DIAGRAM
 <p>ALUMINIUM PROFILE W12.64 × H21.4MM</p> <p>Surface mount or recess</p>	<p>Neon-MX-AL-35 35mm</p>	<p>Ø4.0mm</p>	2	
	<p>Neon-MX-AL-1000 1000mm</p>		2	

NEON MICRO X MUST BE MOUNTED FACING UPWARDS. THE PROFILE IS NOT DESIGNED FOR MOUNTING UPSIDE DOWN OR VERTICALLY.