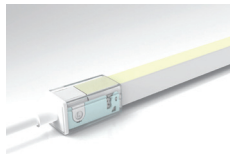
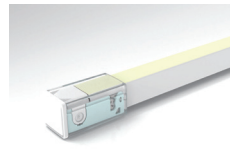


NEON Y | IP67 DIY SNAP CONNECTORS

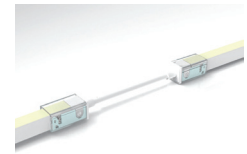
DIY SNAP CONNECTORS CAN BE PRE-FITTED AT FACTORY OR FITTED ON-SITE (SEE NEON Y INSTALLATION GUIDE FOR SNAP CONNECTOR INSTRUCTIONS). SUITABLE FOR OUTDOOR APPLICATIONS. FOR UNDERWATER APPLICATIONS, USE IP68 INJECTION CONNECTIONS ONLY. CABLE LENGTHS GIVEN ARE STANDARD, CAN BE MADE LONGER BY REQUEST.



DIRECT ENTRY



END CAP



FLEXIBLE CONNECTOR

CODES

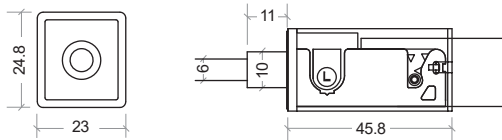
	NEON-SNAP-PF-SC	NEON-SNAP-EC-SC	NEON-SNAP-FC-SC
SINGLE COLOUR			
TUNEABLE	NEON-SNAP-PF-TW	NEON-SNAP-EC-TW	✗
RGB	NEON-SNAP-PF-RGB	NEON-SNAP-EC-RGB	✗
RGBW	✗	NEON-SNAP-EC-RGBW	✗
DMX RGB CHASING	✗	NEON-SNAP-EC-RGBC	✗
DMX RGBW CHASING	✗	NEON-SNAP-EC-RGBWC	✗

RGBW, DMX RGB CHASING AND DM RGBW CHASING:

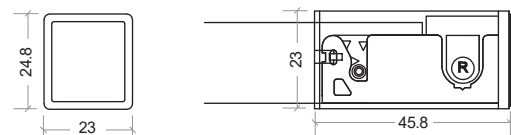
ONLY END CAPS ARE AVAILABLE, WHICH CAN ALLOW FOR THE SHORTENING OF LENGTHS ON-SITE (END CAP SIDE) IF REQUIRED.

NOTE: THAT THIS WILL REDUCE ANY EXISTING IP RATING TO IP67.

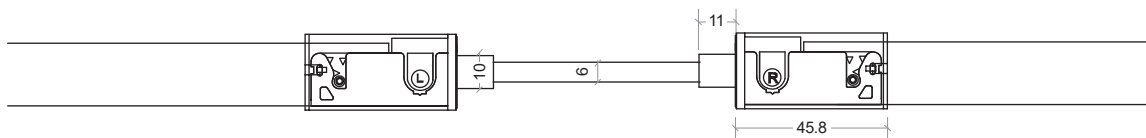
DIRECT ENTRY
600mm cable



END CAP



FLEXIBLE CONNECTOR
300mm cable



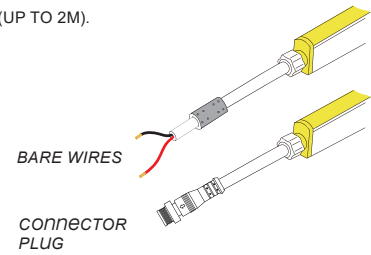
NEON Y | IP68 INJECTION MOULDING

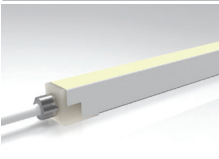
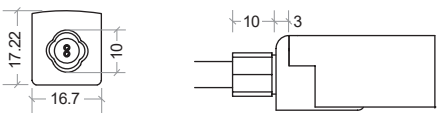

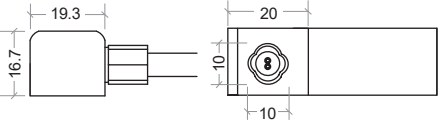
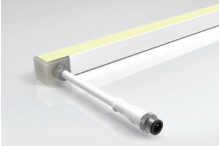
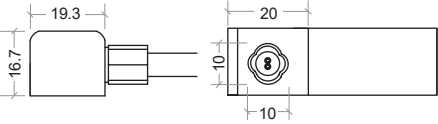
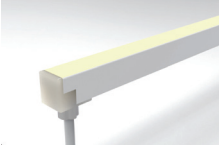
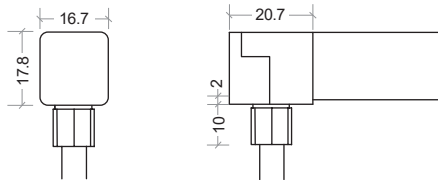
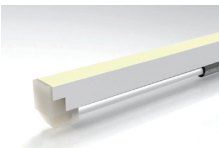
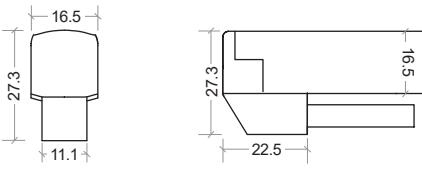
REQUIRES FITTING AT FACTORY. LEAD TIMES APPLY. SUITABLE FOR OUTDOOR & SUBMERGED APPLICATIONS (UP TO 2M). CABLE LENGTHS GIVEN ARE STANDARD, CAN BE MADE LONGER BY REQUEST.

For IP68 injection moulding there are two cable options available - bare wires or plugs. The below chart shows the injection moulding dimensions for both types.

Bare end cables come with a standard cable length of 600mm. It is recommended to ensure the feeder cable is long enough to reach to where connections can be made (cables can be made longer upon request).

IP68 Connector cable plugs are designed for "plug-and-play" type installations (see 'Connector Plug' page for information about the plug connectors).

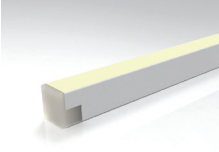
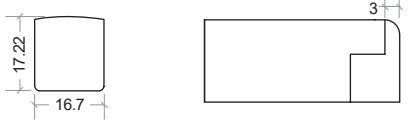

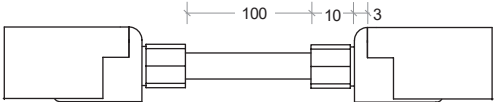

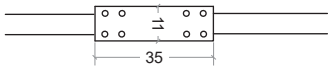


ACCESSORY	CABLE LENGTH	DIMENSION DIAGRAM
 DIRECT ENTRY	600mm with waterproof interrupter, ending in bare wires	
	300mm with IP68 male connector plug*	
 SIDE ENTRY	600mm with waterproof interrupter, ending in bare wires	
	300mm with IP68 male connector plug* <i>(male or female depending on left or right side)</i>	
 <i>Side Injection moulding increases product width at connection. If using profile, connection end will not fit and will need to extend out of profile.</i> SIDE ENTRY	600mm with waterproof interrupter, ending in bare wires	
	300mm with IP68 male connector plug*	
 BOTTOM ENTRY	600mm with waterproof interrupter, ending in bare wires	
	300mm with IP68 male connector plug*	
 L SHAPE ENTRY	600mm with waterproof interrupter, ending in bare wires	
	300mm with IP68 male connector plug*	

*See 'Connector Plug' page for information about IP68 injection moulding cable connector plugs

NEON Y | IP68 INJECTION MOULDING

REQUIRES FITTING AT FACTORY. LEAD TIMES APPLY. SUITABLE FOR OUTDOOR & SUBMERGED APPLICATIONS (UP TO 2M).
CABLE LENGTHS GIVEN ARE STANDARD, CAN BE MADE LONGER BY REQUEST.

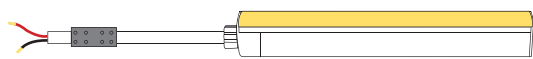
ACCESSORY	CABLE LENGTH	DIMENSION DIAGRAM
 <p>END CAP</p>	-	
 <p>FLEXIBLE CONNECTOR</p> <p><i>Single Colour Only</i></p>	100mm <i>(Cable can be made longer by request)</i>	
 <p>WATERPROOF METAL FERRULE</p>	This stainless steel waterproof metal ferrule prevents water from running down the cable. Only included for standard IP68 injection ending in bare wires	

*See next page for information about IP68 injection moulding cable connector plugs

SINGLE / DOUBLE FEED

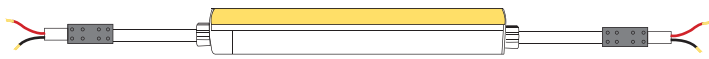
THE MAXIMUM RUN LENGTH PER POWER FEED CAN BE DOUBLED BY POWERING FROM BOTH ENDS.

SINGLE FEED



DC input

DOUBLE FEED



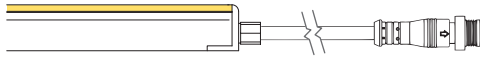
DC input

DC input

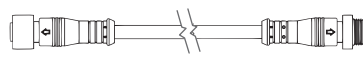
NEON Y | IP68 INJECTION MOULDING - CONNECTOR PLUG

CABLE LENGTHS GIVEN ARE STANDARD, CAN BE MADE LONGER BY REQUEST.

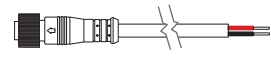
Connector plugs have an IP68 rating (when fastened) and are designed for “plug-and-play” type installations. As standard, the Neon IP68 injection moulded connector plugs are male. The installer can wire in an **IP68 female connector plug to bare wire** at the start location (power supply/control centre) then plug the two together (ensuring stainless steel locking ring is tight). Depending on required cable length an extension cable may be required.



NEON WITH MALE IP68 CONNECTOR PLUG



OPTIONAL: IP68 CONNECTOR PLUG EXTENSION CABLE



IP68 FEMALE CONNECTOR PLUG TO BARE WIRE

	<p>IP68 CONNECTOR PLUGS (male or female depending on power feed end). Male as standard.</p>	<p>Cable Length 300mm</p>	<p>These connect to the corresponding IP68 Connector plug to bare Wire or to an IP68 Connector plug Extension cable</p>
	<p>IP68 MALE CONNECTOR PLUG TO BARE WIRE</p>	<p>300mm</p>	
	<p>IP68 FEMALE CONNECTOR PLUG TO BARE WIRE</p>	<p>300mm</p>	
	<p>IP68 CONNECTOR PLUG EXTENSION CABLE</p>	<p>1m / 2m / 5m / 10m</p>	

Female & Male Connector plugs

The male/female waterproof connector plug is made by two layers of injection molding with high viscosity TPU and high density nylon material inside.

After locked by its stainless steel locking ring, it has outstanding reliability and waterproof performance with IP68 rating.



Double layer high-viscosity TPU

Stainless steel

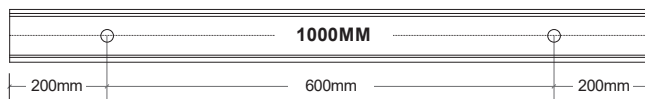
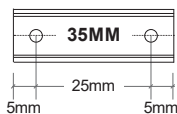
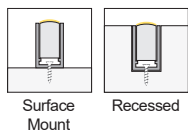
Nylon material

Soild copper Pins

Female Connector

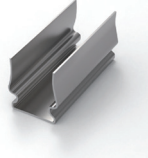
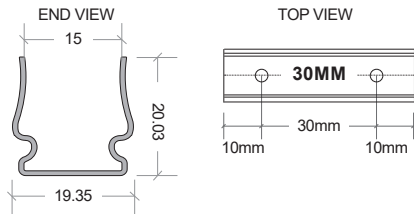

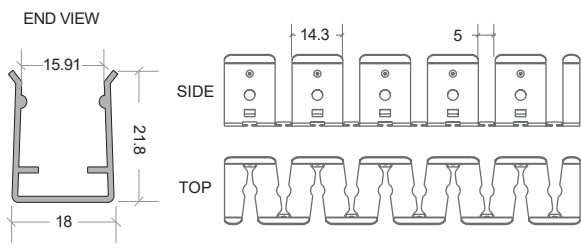

Male Connector

NEON Y | MOUNTING ACCESSORIES



ACCESSORY	CODE / LENGTH	SCREW HOLE	HOLE QTY	DIAGRAM
 <p>ALUMINIUM PROFILE W20.4 × H19.6MM</p> <p>Surface mount or recess</p>	<p>Neon-Y-AL-35 35mm</p>	<p>Ø4.0mm</p>	2	
	<p>Neon-Y-AL-1000 1000mm</p>		2	
 <p>SELF-LOCKING ALUMINIUM PROFILE WITH CLIP W21.2 × H19.6MM</p> <p>Surface mount or recess.</p> <p><i>Suitable for mounting Neon upside down or vertically up wall/surface.</i></p>	<p>Neon-Y-SLAL-35 35mm (1 clip)</p>	<p>Ø4.0mm</p>	2	  <p>Upside down or vertical mount</p>
	<p>Neon-Y-SLAL-1000 1000mm (5 clips)</p>		2	
 <p>ALUMINIUM PROFILE WITH CABLE TRAY W20.4 × H27.9MM</p> <p>Surface mount or recess</p>	<p>Neon-Y-ALCT-35 35mm</p>	<p>Ø4.0mm</p>	2	
	<p>Neon-Y-ALCT-1000 1000mm</p>		2	
 <p>PLASTIC AND ALUMINIUM PROFILE W22.2 × H22.85MM</p> <p>Surface mount</p>	<p>Neon-Y-PAL-35 35mm</p>	<p>Ø4.0mm</p>	2	
	<p>Neon-Y-PAL-1000 1000mm</p>		2	
 <p>PLASTIC PROFILE W23.5 × H22.9MM</p> <p>Surface mount or recess</p>	<p>Neon-Y-PP-35 35mm</p>	<p>Ø4.0mm</p>	2	
	<p>Neon-Y-PP-1000 1000mm</p>		2	

NEON Y | MOUNTING ACCESSORIES

ACCESSORY	CODE / LENGTH	SCREW HOLE	HOLE QTY	DIAGRAMS
 <p>STAINLESS STEEL CLIP W19.3 × H20MM Surface mount</p>	Neon-Y-SSC-50 50mm	Ø4.0mm	2	
 <p>FLEXIBLE STAINLESS STEEL PROFILE W18 × H22MM Surface mount</p>	Neon-Y-SSFP-100 100mm Neon-Y-SSFP-300 300mm Neon-Y-SSFP-500 500mm Neon-Y-SSFP-1000 1000mm			
 <p>FLEXIBLE ALUMINIUM PROFILE W20.4 × H19.8MM Surface Mount - Vertical Bend</p>	Neon-Y-ALFP-500 500mm Neon-Y-ALFP-1000 1000mm			