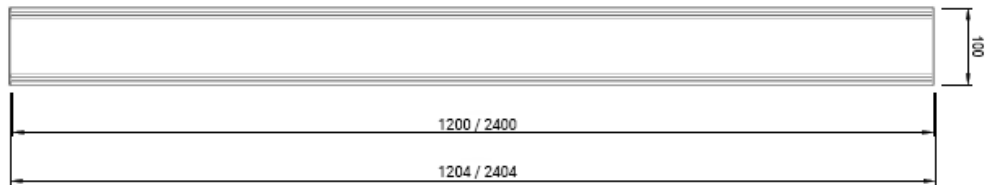
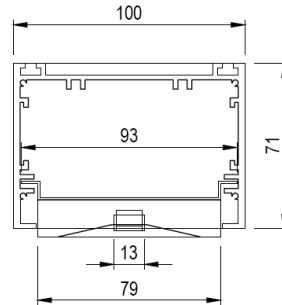
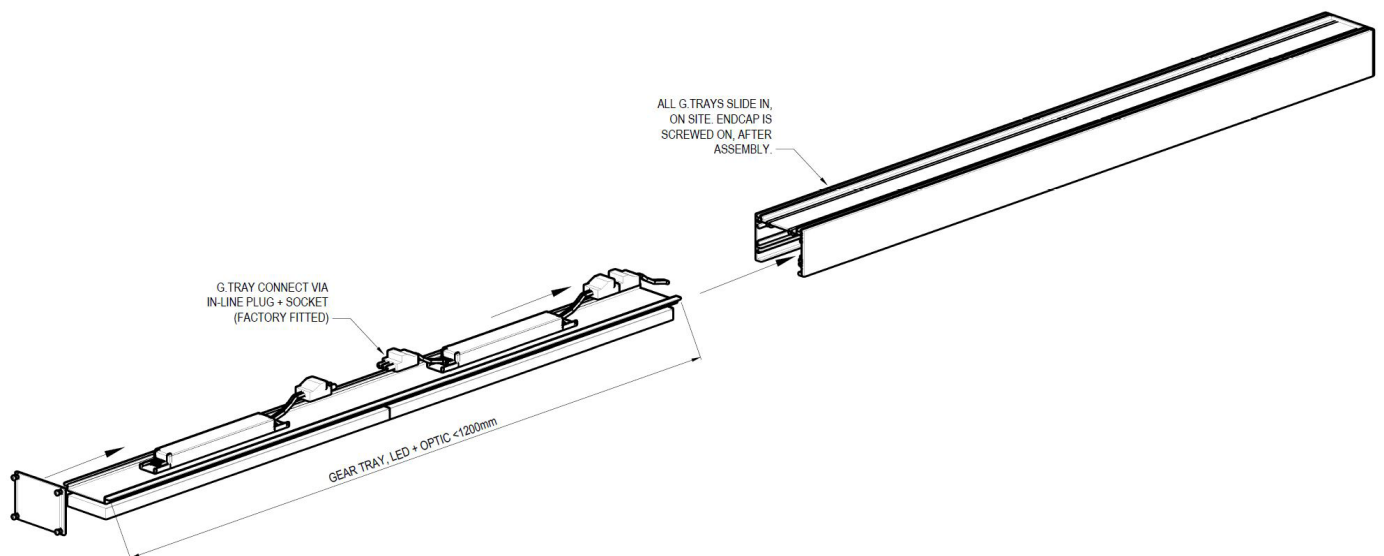


1. PRODUCT OVERVIEW



2. INSTALLTION



3. TERMINAL BLOCK AND FIXING HOLES

