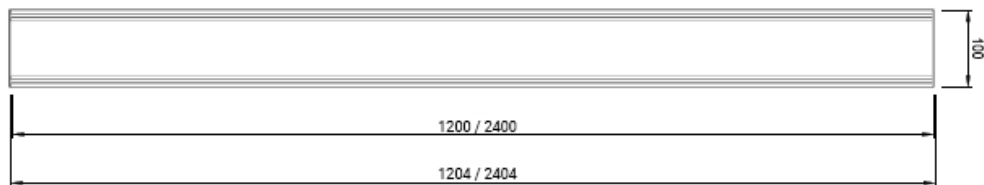
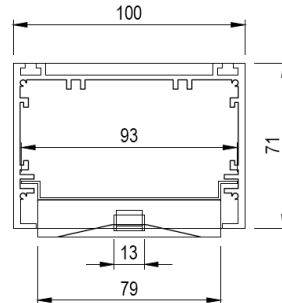


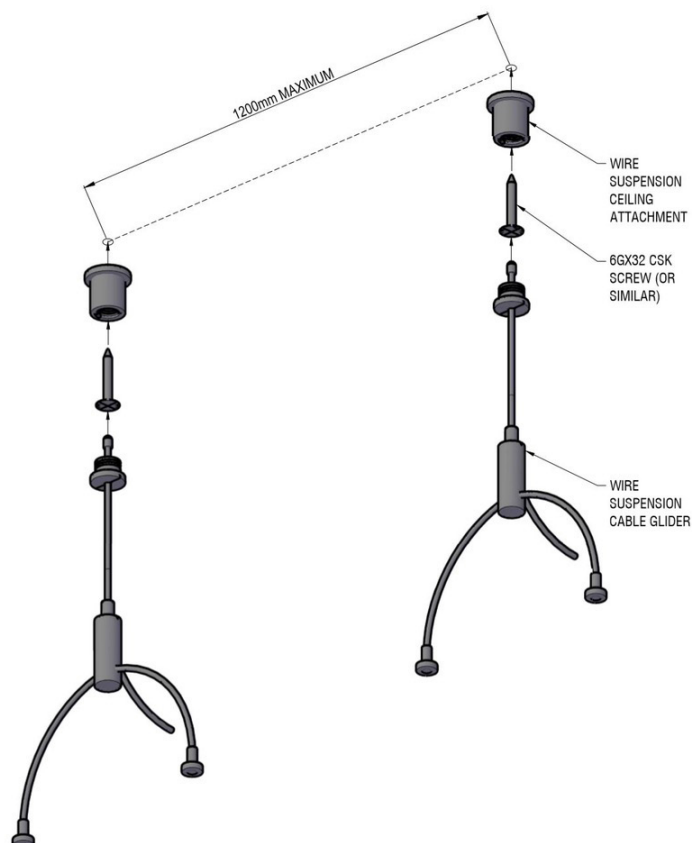
## 1. PRODUCT OVERVIEW



## 2. SUSPENSION CABLE CONFIGURATION

**NOTE:**

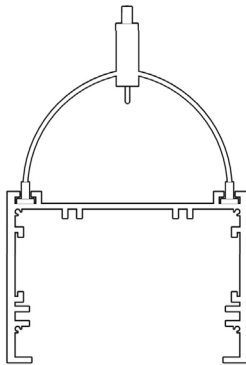
- 1. There are 2 suspension cables on 1200 mm version
- 2. There are 3 suspension cables on 2400 mm version



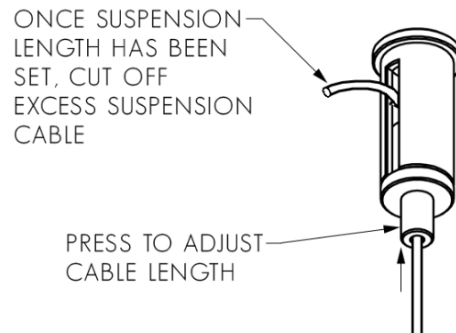
**3. INSTALL SUSPENSION CABLES. HANG EXTRUSION**

1. Slide the V-cable into the channel on top of the extrusion (see fig. 1).
2. Feed wire suspension cables in to ceiling attachments. Press nipple inwards to adjust cable length (see fig. 2).
3. Once correct suspension height has been set, cut off excess suspension wire using side cutters (see fig. 2).
4. Screw end caps to extrusion (see fig. 3).

**Fig. 1**



**Fig. 2**



**Fig. 3**

