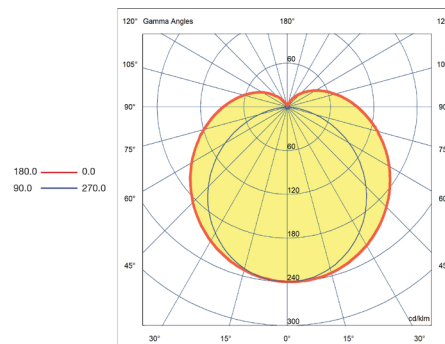
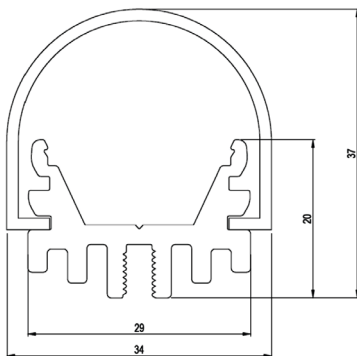
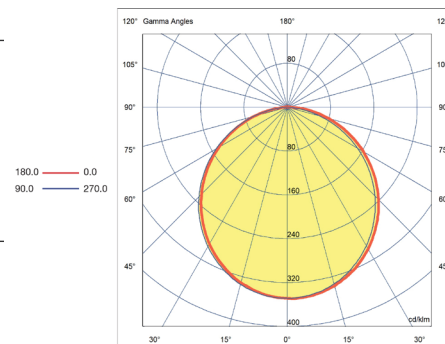
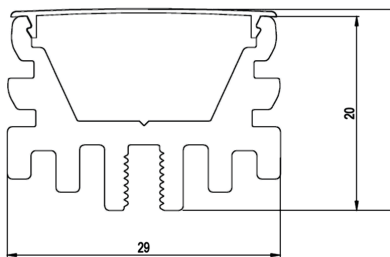
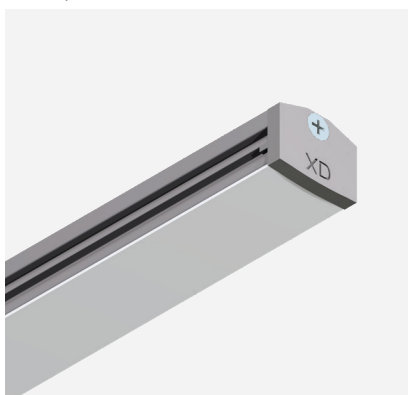


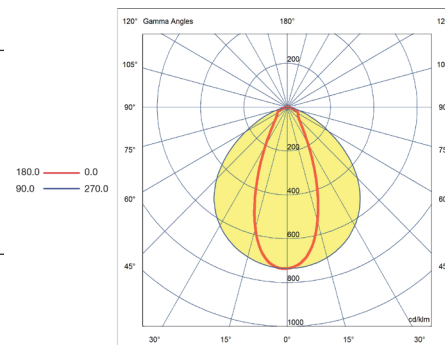
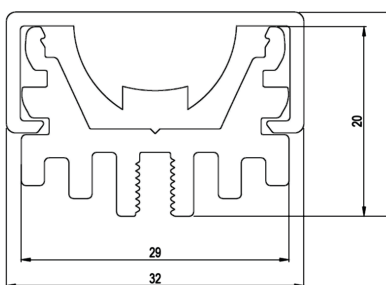
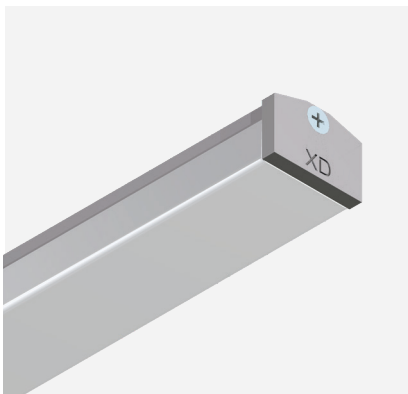
Semi-circular



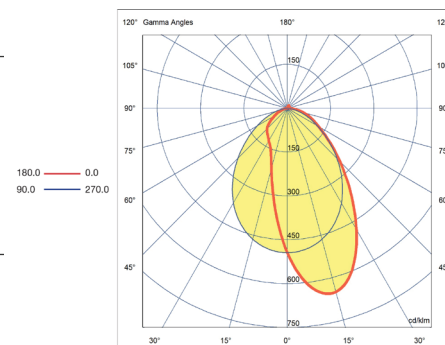
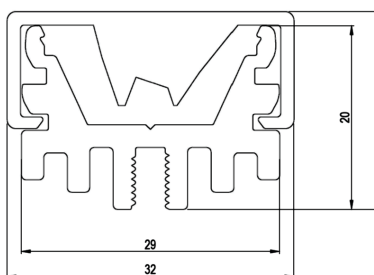
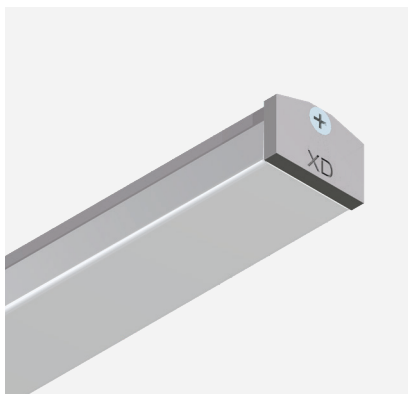
Flat opal

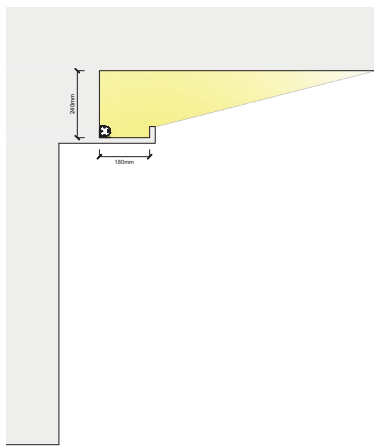


Narrow beam



Asymmetric








DESCRIPTION

The COVERT CHARLIE 20 extrusion is a compact and efficient solution intended to create 'hot spot' free, soft cove lighting effects with minimal maintenance and low power consumption. With a range of mounting angles and optical solutions, the COVERT CHARLIE 20 is versatile enough for use in any cove.

FEATURES

- Made locally and factory assembled
- Unique mounting clip design for easy installation
- Extensive heat sinking design for max thermal dissipation and LED performance over life
- PMMA diffuser - UV resistant

TECHNICAL DATA

APPLICATIONS	Task lighting in kitchen cabinetry, lighting for shelving or display units, hallway lighting, wall-washing
INSTALLATION	Interior Exterior (with IP65 LED strip)
MOUNTING	Surface mounted
MATERIALS	Extruded aluminium body PMMA diffuser Plastic end caps
LIGHT SOURCE	LED ribbon strip
POWER SUPPLY	24V DC - remote driver options ranging from 6 W up to 320 W
DIMMABLE	DALI, 1-10V, Phase Cut and Bluetooth drivers available
WARRANTY	7 year product warranty 13 months labour warranty. Refer to www.lightculture.com.au for more details
FINISH	   *Custom colours available



LED STRIP

PRO Series IP20 & IP65

RGBW IP20 & IP65

	6 W/m			12 W/m			18 W/m			30 W/m - IP20 only		
	2700 K	3000 K	4000 K	2700 K	3000 K	4000 K	2700 K	3000 K	4000 K	2700 K	3000 K	4000 K
SC	473 lm	473 lm	509 lm	982 lm	982 lm	1054 lm	1454 lm	1545 lm	1563 lm	2363 lm	2399 lm	2436 lm
FO	365 lm	365 lm	393 lm	758 lm	758 lm	814 lm	1123 lm	1193 lm	1207 lm	1825 lm	1853 lm	1881 lm
NB	557 lm	557 lm	600 lm	1157 lm	1157 lm	1243 lm	1714 lm	1821 lm	1843 lm	2785 lm	2828 lm	2871 lm
ASY	550 lm	550 lm	592 lm	1142 lm	1142 lm	1227 lm	1692 lm	1798 lm	1819 lm	2750 lm	2792 lm	2835 lm

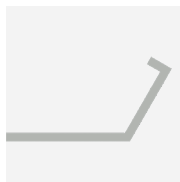
22 W/m			
RED	GREEN	BLUE	3000K
95 lm	251 lm	62 lm	365 lm
73 lm	194 lm	48 lm	282 lm
111 lm	296 lm	73 lm	430 lm
110 lm	292 lm	72 lm	425 lm

The above outputs are quoting luminaire output lumens per metre
 30 W/m strip only available in IP20.
 IP65 strips are +/- 200 K in colour temperature variance due to the silicone coating.
 Electrical and optical data variance +/- 10%

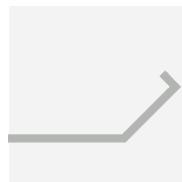
ACCESSORIES



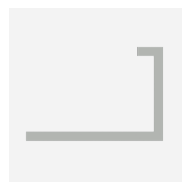
MB-CC20-20
Mounting Bracket 20°



MB-CC20-30
Mounting Bracket 30°



MB-CC20-45
Mounting Bracket 45°



MB-CC20-FLAT
Mounting Bracket - flat

