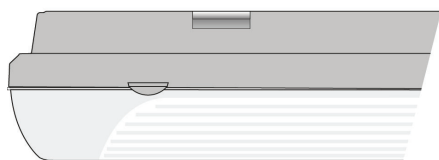


Mounting Instructions - ARAGON LED



Safety notes

These instructions assume expert knowledge corresponding to a completed professional education as an electrician.

- Never work when voltage is present on the luminaire. **WARNING - Risk of electric shock!!**
- **Attention! Do not touch the LEDs**, this avoids ESD damage.
- LED module **risk group 0**; in case of malfunctions with the LED module, please contact Light Culture.
- Luminaire type plates have the **D** designation and are suitable for installation in work locations at risk of fire from dust or fibres.



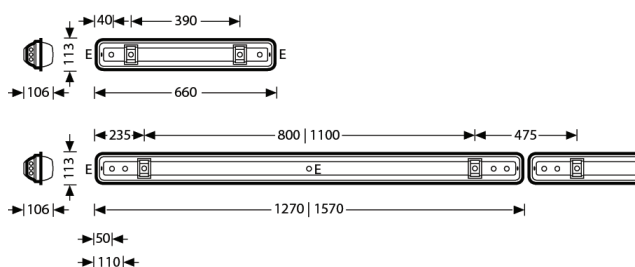
Important information regarding electronic control gear (ECG)

- Interference to the neutral conductor in a three-phase system may result in surge-related damage in the lighting installation. Only open neutral conductor-disconnect terminal when disconnected from power supply and close prior to switching back on.
- The maximum admissible ambient temperature t_a of the luminaire may not be exceeded. Surpassing that temperature reduces the service life and, in extreme cases, poses risk of early failure.
- Use mains cables for control inputs of dimmable ECG (1...10V, DALI, etc.) which are rated for 230V.

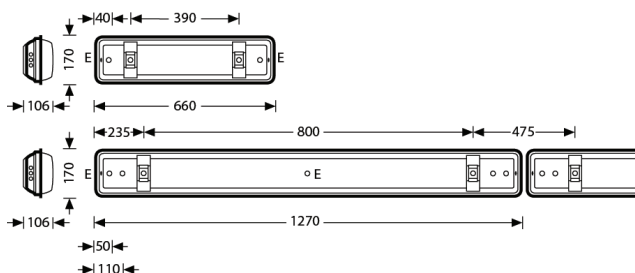
Intended use

Coverings for outdoor applications must protect the luminaire from direct weather effects and exposure to the sun. The luminaire is **unsuitable** for corrosive atmospheres (e.g. swimming pools, intensive animal husbandry, tunnels).

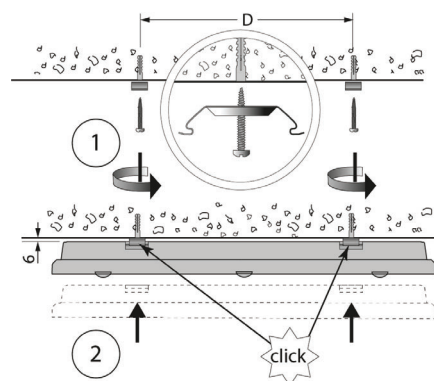
Type	ca. kg
Aragon 600 mm	2.0
Aragon 1200 mm	2.5
Aragon 1500 mm	2.6
Aragon Twin 1200 mm	2.8



In case of wall mounting, cable entry must be positioned below.



Ceiling-mounting

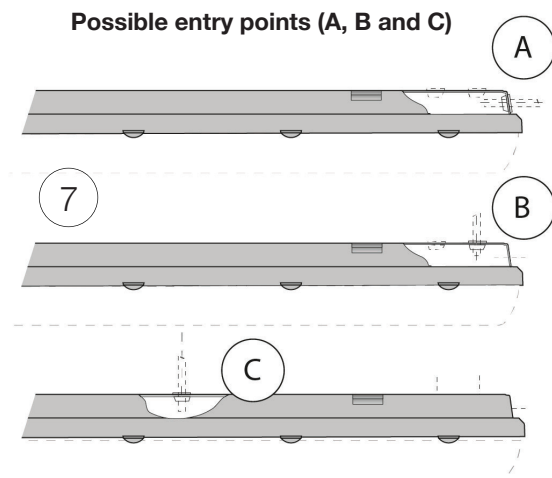
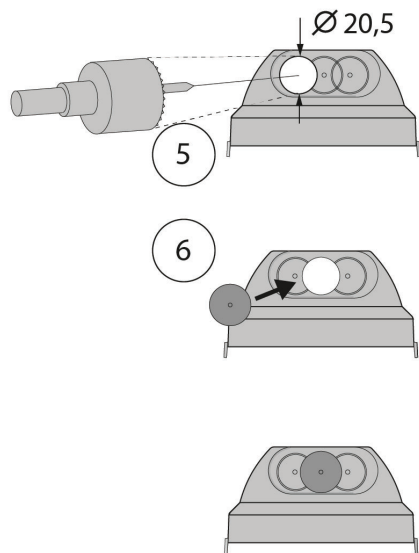
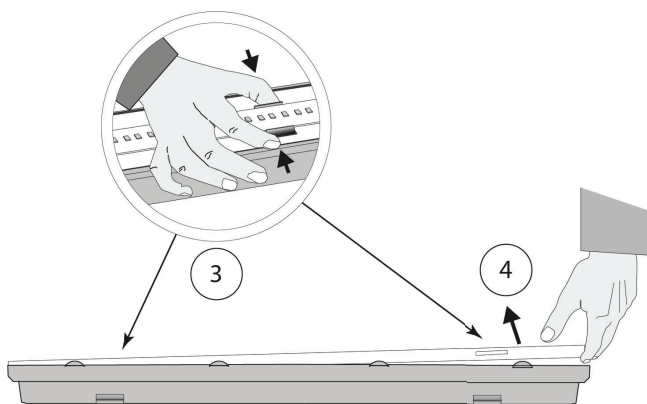
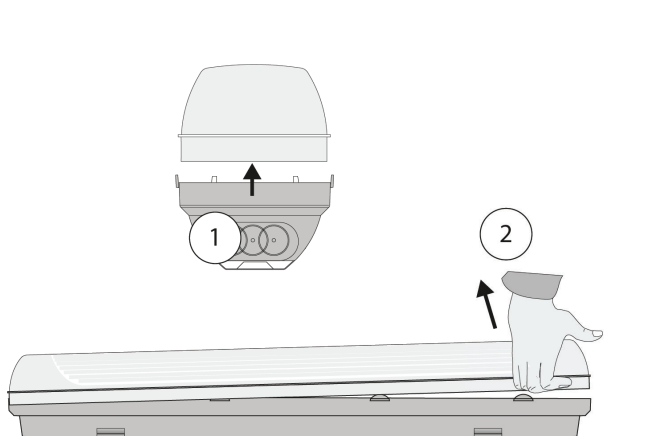


ATTENTION
OBSERVE PRECAUTIONS
FOR HANDLING
ELECTROSTATIC
SENSITIVE DEVICES

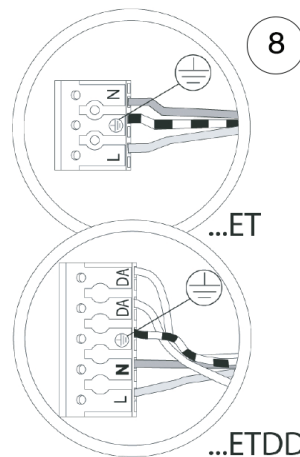
This luminaire contains
electrostatic sensitive
discharge components.
Do not touch the LEDs
directly during installations.

Mounting Instructions - ARAGON LED

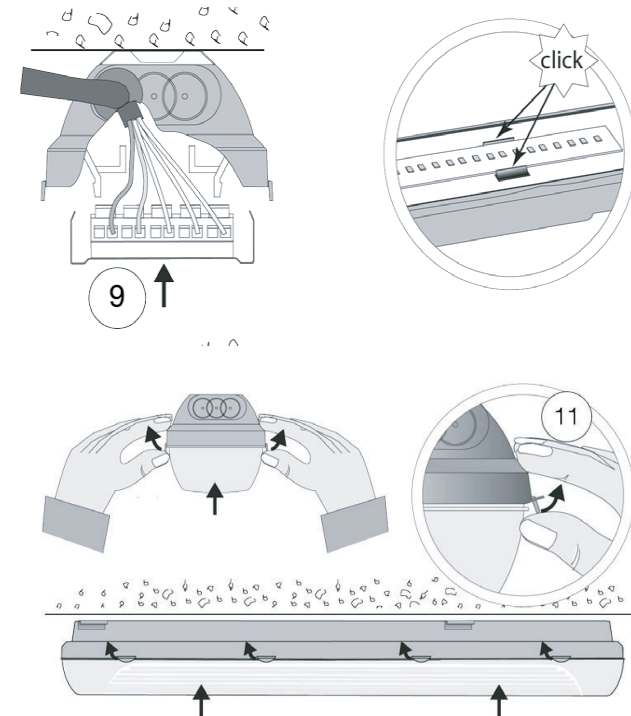
Mounting



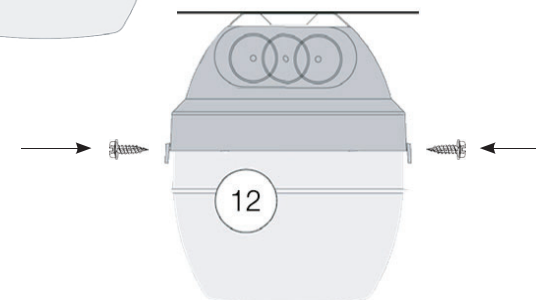
Electrical connection



Insert the vat



Electrical security



To prevent unauthorised access and risk of shock, the security screws provided must be located in the luminaire body as indicated.

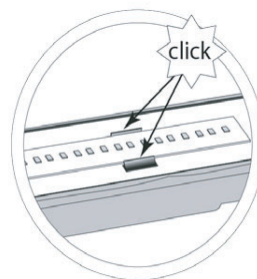
Operation Instructions - ARAGON LED EMERGENCY - EMT

Test Switch Operation

1. Remove 2x M4 security screws from diffuser (see diag 12).
2. Remove diffuser (see diag 10-11).
3. Red test switch is visible on gear tray, next to LED indicator.
4. Press test switch to operate/test emergency mode.
5. When complete, replace diffuser and security screws.

Test Switch Operation

1. Remove 2x M4 security screws from diffuser (see diag 12).
2. Remove diffuser (see diag 10-11).
3. Remove gear tray by pressing 2x spring clips
4. Remove battery fixing screws and electrical connector
5. Replace with new battery, replace gear tray, diffuser and security screws



Battery Information

- Battery type - Tridonic LiFe P04 - 3.2V 7500mAh (model number 28002325)
- Luminaire ambient operating temp - +5 °C to 35 °C