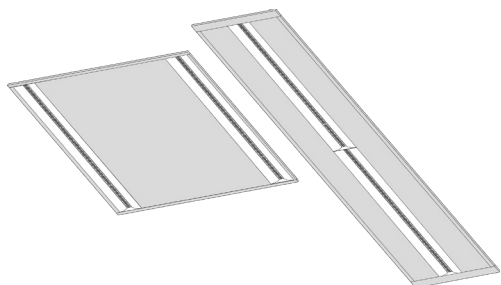


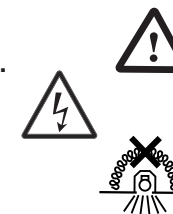
Mounting Instructions - ArimoS MRX LED



Safety notes

These instructions assume expert knowledge corresponding to a completed professional education as an electrician.

- Never work when voltage is present on the luminaire. **Caution - Risk of fatal injury!**
- LED class 1
- In case of malfunctions with the LED module, please contact **Light Cultur**.
- Do not cover the luminaire **ArimoS MRX...LED** with insulating material. Do not place any cables on the luminaires.



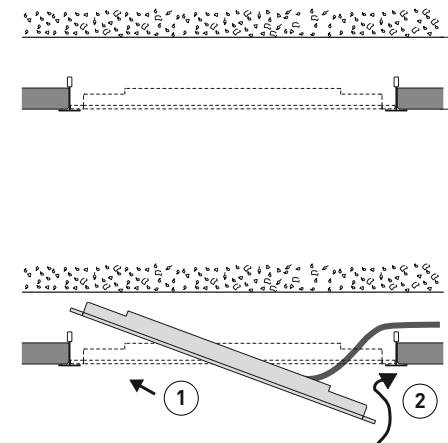
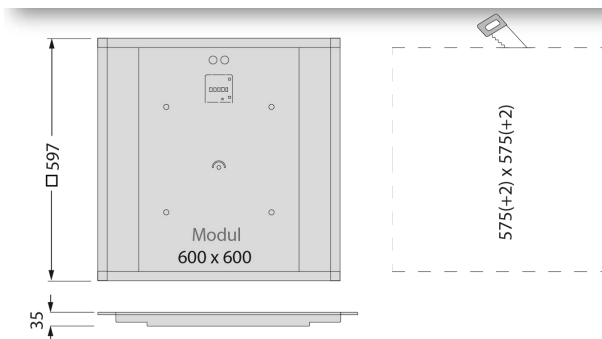
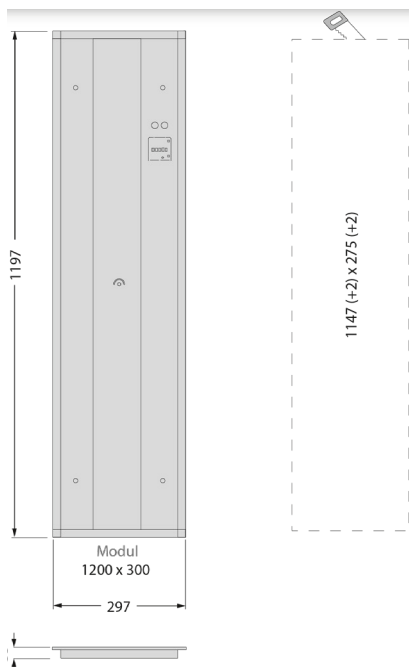
Important information regarding electronic control gear (ECG)

- Interference to the neutral conductor in a three-phase system may result in surge-related damage in the lighting installation. Only open neutral conductor - disconnect terminal when disconnected from power supply and close prior to switching back on.
- The maximum admissible ambient temperature t_a of the luminaire may not be exceeded. Surpassing that temperature reduces the service life and, in extreme cases, poses risk of early failure.
- Use mains cables for control inputs of dimmable ECG (1...10V, DALI, etc.) which are rated for 230 V.

| Type | kg |
|--------------------------|-----|
| ArimoS M46 MRX...ET... | 5.2 |
| ArimoS M46 MRX...ETDD... | 5.3 |

| Type | kg |
|--------------------------|-----|
| ArimoS M73 MRX...ET... | 4.4 |
| ArimoS M73 MRX...ETDD... | 4.5 |

Mounting



Keep these instructions for future maintenance work or dismantling.