

INSTRUCTIONS FOR WALL MOUNTING



BOB EACH WAY 65

1 PRODUCT OVERVIEW

BOB EACH WAY 65

2 FIX WALL BRACKETS IN TO A SOLID FIXING

M = MAX. DISTANCE BETWEEN WALL BRACKETS IS 800MM
MAX. DISTANCE FROM END OR JOIN IN EXTRUSION IS 200MM

3 JOIN EXTRUSIONS, INSTALL LED STRIP, DIFFUSER AND END CAPS

- IF USING MULTIPLE LENGTHS OF EXTRUSION, SLIDE EXTRUSIONS TOGETHER ON TO JOINER PLATES OR BEND PLATE AND LOCATOR PLATES THEN TIGHTEN GRUB SCREWS.
- IMPORTANT:** BEFORE MOUNTING LED STRIP, CLEAN EXTRUSION USING AN ALCOHOL BASED CLEANER.
- REMOVE BACKING FROM LED STRIP TO EXPOSE STICKY SURFACE. LAY LED STRIP INTO EXTRUSION, USING THE SMALL GROOVES IN THE BACK OF THE EXTRUSION AS A GUIDE.
- CLIP DIFFUSERS INTO EXTRUSION, ENSURING A FIRM CONNECTION (SEE FIG. 1).
- PUSH END CAPS INTO ENDS OF EXTRUSION.

FIG. 1 - ENSURE DIFFUSER IS MOUNTED SECURELY

INSTRUCTIONS FOR WALL MOUNTING



BOB EACH WAY 65

4

MAKE ELECTRICAL CONNECTION, FIX EXTRUSION TO WALL BRACKETS

1. MAKE ELECTRICAL CONNECTION: CONNECT LED STRIP TAILS TO LED DRIVER CABLE, THEN SEAL WITH HEAT SHRINK (OR SEE FIG. 2 IF SUPPLIED WITH MALE/FEMALE CONNECTORS).

2. LIFT EXTRUSION ASSEMBLY AND TIGHTEN LUGS AND WALL BRACKETS TOGETHER WITH THE M3X8 CSK SCREWS, ENSURING A FIRM CONNECTION (SEE FIG. 3).

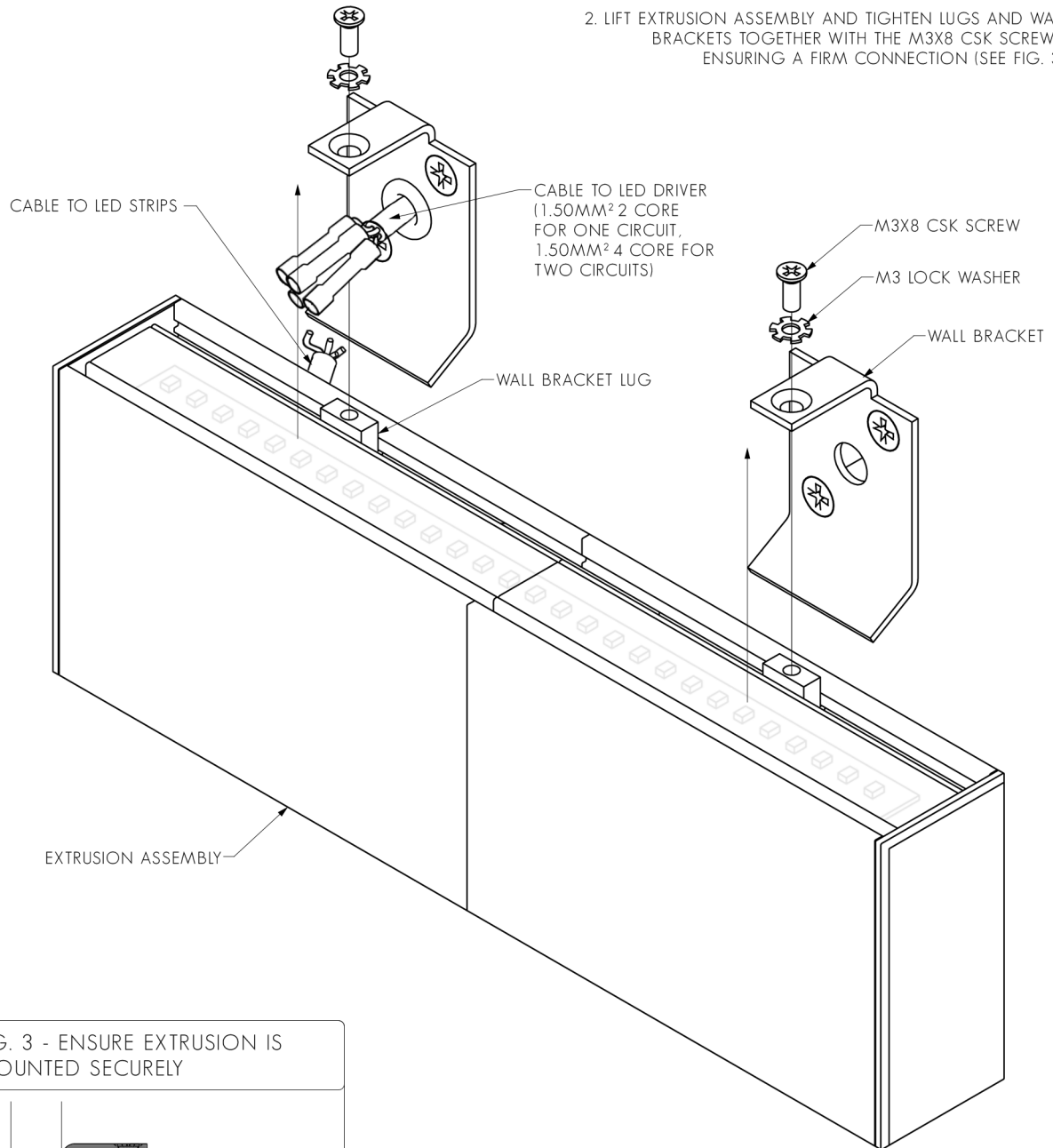


FIG. 3 - ENSURE EXTRUSION IS MOUNTED SECURELY

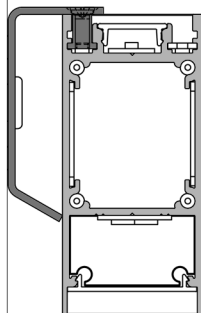


FIG. 2 - MAKE ELECTRICAL CONNECTION

