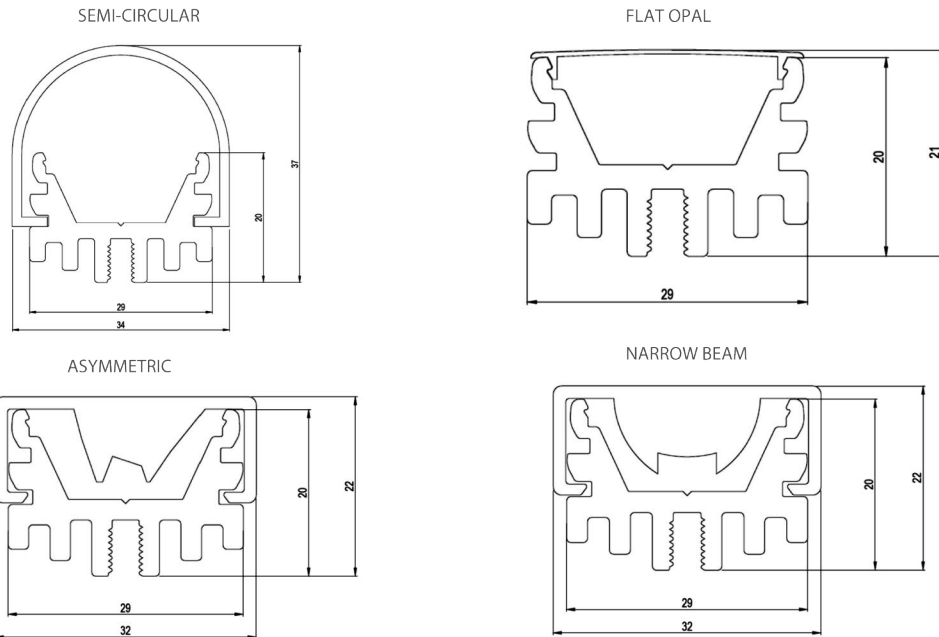


1 PRODUCT OVERVIEW



2 AFFIX EXTRUSION TO SURFACE, MAKE ELECTRICAL CONNECTION

SAFETY NOTES

1. THESE INSTRUCTIONS ASSUME EXPERT KNOWLEDGE CORRESPONDING TO A COMPLETED PROFESSIONAL EDUCATION AS AN ELECTRICIAN.
2. NEVER WORK WHEN VOLTAGE IS PRESENT ON THE LUMINAIRE. WARNING - RISK OF ELECTRIC SHOCK!!
3. ATTENTION! DO NOT TOUCH THE LEDS, THIS AVOIDS ESD DAMAGE.
4. LED MODULE RISK GROUP 0; IN CASE OF MALFUNCTIONS WITH THE LED MODULE, PLEASE CONTACT LIGHT CULTURE.
5. LUMINAIRE TYPE PLATES HAVE THE D DESIGNATION AND ARE SUITABLE FOR INSTALLATION IN WORK LOCATIONS AT RISK OF FIRE FROM DUST OR FIBRES.

