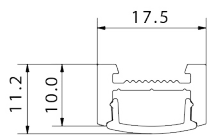


# INSTRUCTIONS FOR WIRE SUSPENDING

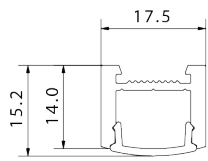


DOWNHILL DAN 10, DOWNHILL DAN 14, DOWNHILL DAN 30, FLAT FREDDIE 14, FLAT FREDDIE 30, FAT FREDDIE 35, SIDWAYS SALLY 20

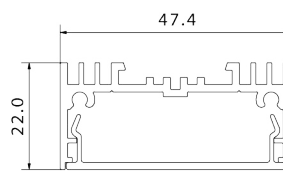
## 1 PRODUCT OVERVIEW



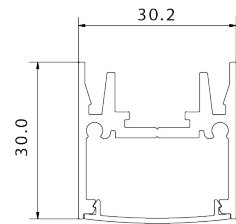
DOWNHILL DAN 10



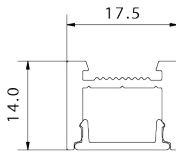
DOWNHILL DAN 14



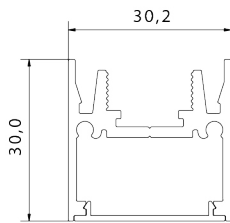
DOWNHILL DAN 22



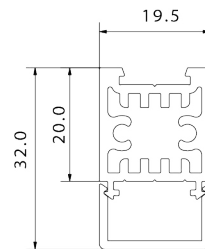
DOWNHILL DAN 30



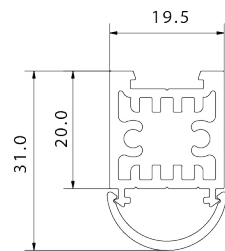
FLAT FREDDIE 14



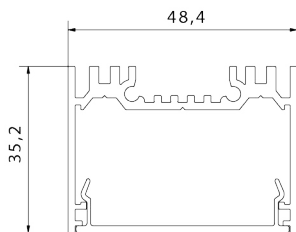
FLAT FREDDIE 30



SIDWAYS SALLY 20R



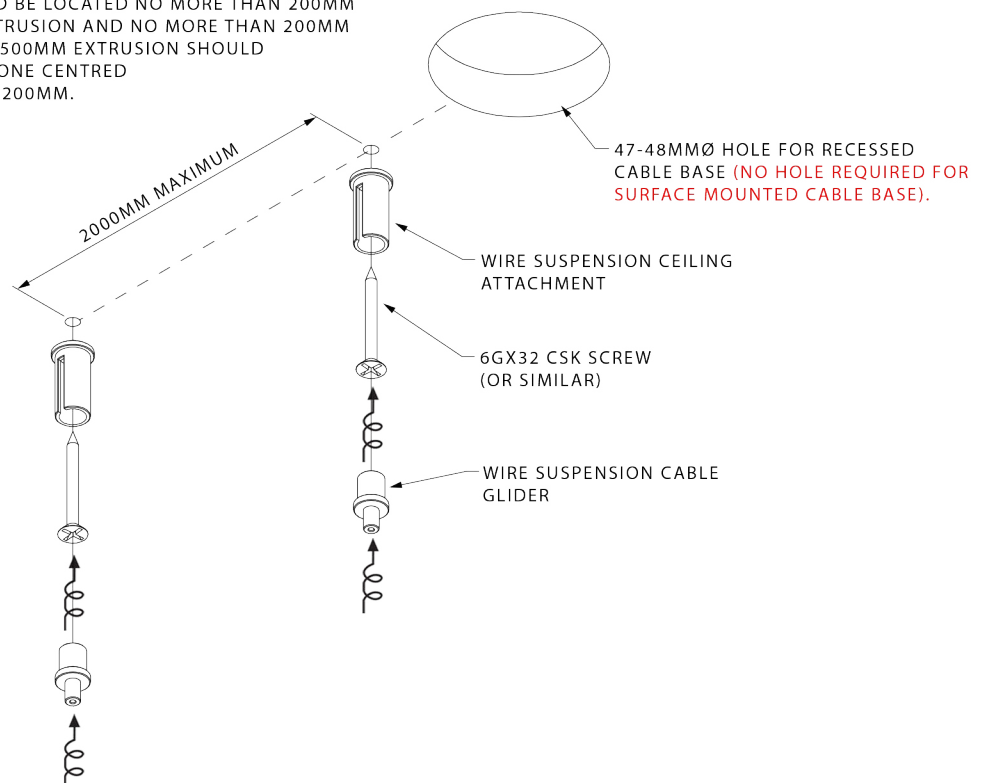
SIDWAYS SALLY 20C



FLAT FREDDIE 35

## 2 INSTALL SUSPENSION CEILING ATTACHMENTS

NOTE: SUSPENSIONS SHOULD BE LOCATED NO MORE THAN 200MM IN FROM AN END OF THE EXTRUSION AND NO MORE THAN 200MM OF A JOIN OR BEND. E.G. A 2500MM EXTRUSION SHOULD HAVE 3 MOUNTING POINTS, ONE CENTRED AND ONE EACH END WITHIN 200MM.



# INSTRUCTIONS FOR WIRE SUSPENDING



DOWNHILL DAN 10, DOWNHILL DAN 14, DOWNHILL DAN 30, FLAT FREDDIE 14, FLAT FREDDIE 30, FAT FREDDIE 35, SIDWAYS SALLY 20

## 3 INSTALL SUSPENSION CABLES, HANG EXTRUSION, JOIN EXTRUSIONS

1. FEED WIRE SUSPENSION WIRES THROUGH SUSPENSION BRACKETS THEN SLIDE SUSPENSION BRACKETS IN TO EXTRUSION (SEE FIG. 1).
2. FEED SUSPENSION WIRES INTO CEILING ATTACHMENTS. PRESS NIPPLE INWARDS TO ADJUST CABLE LENGTH (SEE FIG. 2).
3. IF USING MULTIPLE LENGTHS OF EXTRUSION, SLIDE EXTRUSIONS TOGETHER ON TO JOINER OR BEND AND LOCK INTO POSITION WITH GRUB SCREWS (SEE FIG. 3).
4. ONCE CORRECT SUSPENSION HEIGHT HAS BEEN SET, CUT OFF EXCESS SUSPENSION WIRE USING SHARP SIDE CUTTERS. (SEE FIG. 2).

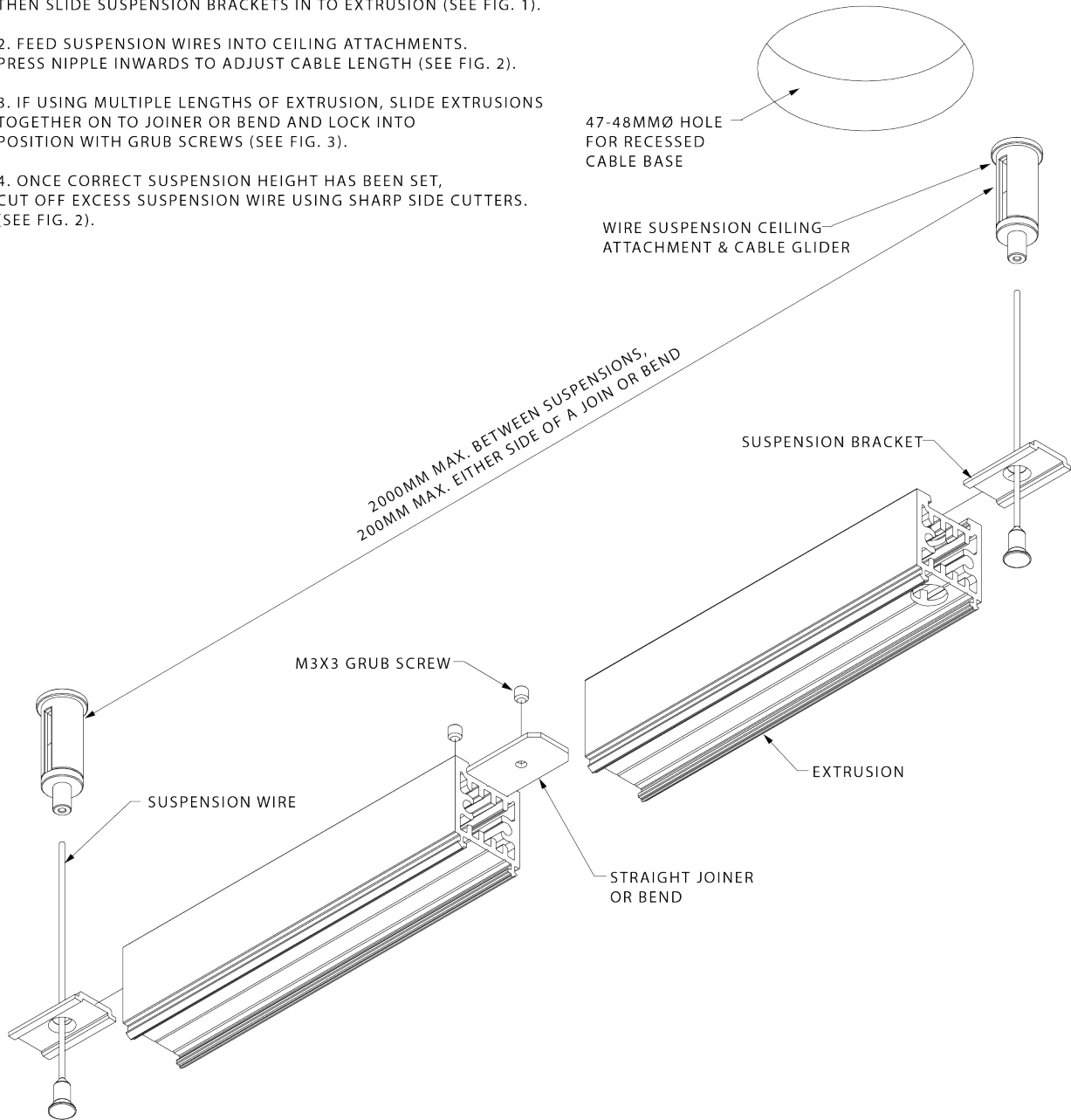


FIG. 1 - ENSURE EXTRUSION IS MOUNTED SECURELY

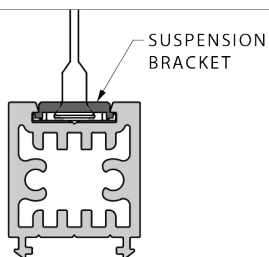


FIG. 2 - ADJUST SUSPENSION CABLE

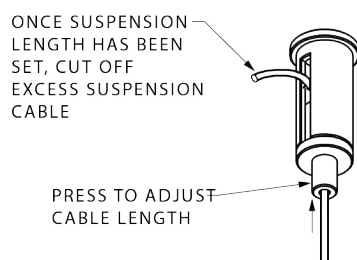
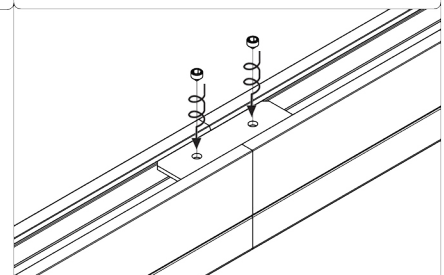


FIG. 3 - TIGHTEN SCREWS IN JOINER/BEND



# INSTRUCTIONS FOR WIRE SUSPENDING



DOWNHILL DAN 10, DOWNHILL DAN 14, DOWNHILL DAN 30, FLAT FREDDIE 14, FLAT FREDDIE 30, FAT FREDDIE 35, SIDWAYS SALLY 20

## 4

### MAKE ELECTRICAL CONNECTION, INSTALL CABLE BASE, CLEAN EXTRUSION, INSTALL LED STRIP, DIFFUSER AND END CAPS

1. FEED LED STRIP TAILS (OR CABLE) THROUGH HOLE IN EXTRUSION AND CLAMP USING CORD GRIP SUPPLIED. (SEE FIG. 4). DO NOT INSTALL LED STRIP AT THIS POINT.

2. MAKE ELECTRICAL CONNECTION: CONNECT LED STRIP TAILS TO LED DRIVER USING CRIMP CONNECTORS, THEN SEAL WITH HEAT SHRINK.

3. PUSH CABLE BASE INTO HOLE IN CEILING - SEE FIG. 5 OR FIG. 6 FOR SURFACE MOUNTED CABLE BASE.

4. IMPORTANT: BEFORE MOUNTING LED STRIP, CLEAN EXTRUSION USING AN ALCOHOL BASED CLEANER.

5. REMOVE BACKING FROM LED STRIP TO EXPOSE STICKY SURFACE. LAY LED STRIP INTO EXTRUSION.

6. CLIP DIFFUSER INTO EXTRUSION, ENSURING A FIRM CONNECTION (SEE FIG. 7). FOR SIDWAYS SALLY 20, BE SURE NOT TO PUSH DIFFUSER IN TOO FAR. THERE SHOULD BE A SMALL GAP BETWEEN THE OUTSIDE FACE OF THE EXTRUSION AND THE DIFFUSER.

7. PUSH END CAPS INTO ENDS OF EXTRUSION.

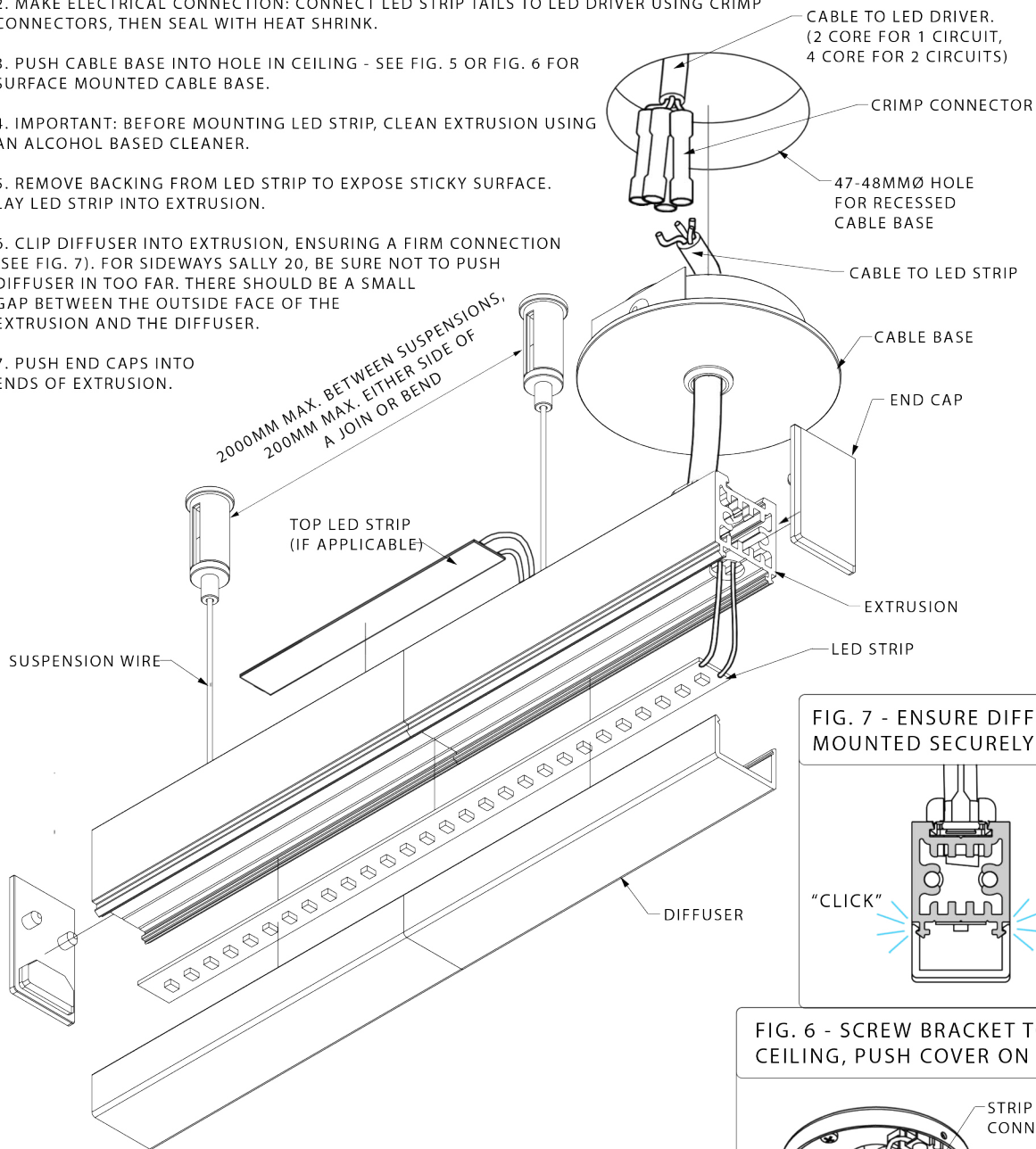


FIG. 7 - ENSURE DIFFUSER IS MOUNTED SECURELY

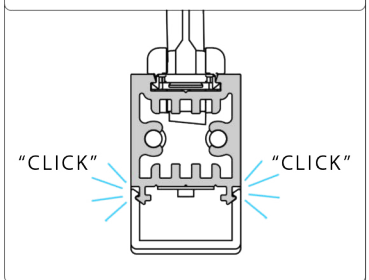


FIG. 6 - SCREW BRACKET TO CEILING, PUSH COVER ON

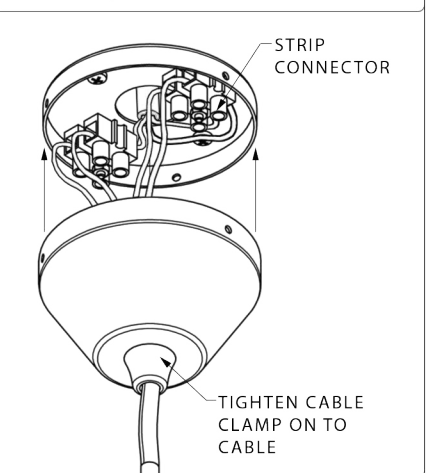


FIG. 4 - FASTEN CABLE USING CORD GRIP

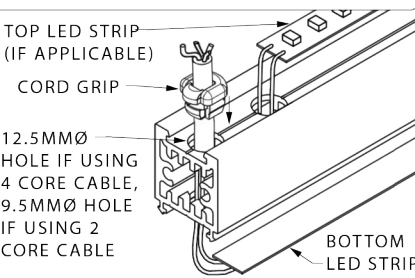


FIG. 5 - INSERT CABLE BASE IN TO CEILING

