

# INSTRUCTIONS FOR WALL MOUNTING



DOWNHILL DAN 30, FLAT FREDDIE 30

**1** PRODUCT OVERVIEW

DOWNHILL DAN 30

FLAT FREDDIE 30

**2** FIX WALL BRACKETS IN TO A SOLID FIXING

MAXIMUM DISTANCE BETWEEN WALL BRACKETS IS 800MM AND NO FURTHER THAN 200MM IN FROM AN END OR JOIN.

**3** JOIN EXTRUSIONS, INSTALL END CAPS AND CLIP EXTRUSION TO WALL BRACKETS

1. IF USING MULTIPLE LENGTHS OF EXTRUSION, SLIDE EXTRUSIONS TOGETHER ON TO JOINER OR BEND PLATE AND TIGHTEN GRUB SCREWS.
2. SLIDE END CAPS INTO ENDS OF EXTRUSION.
3. CLIP EXTRUSIONS ON TO WALL BRACKETS. ENSURE EXTRUSION IS MOUNTED SECURELY. SEE FIG. 1.

THE CABLE FROM THE WALL SHOULD WRAP AROUND BEHIND THE MOUNTING CLIP AND ENTER THE EXTRUSION ALONGSIDE THE WALL BRACKET & CLIP.

**FIG. 1 - ENSURE EXTRUSION IS MOUNTED SECURELY**

# INSTRUCTIONS FOR WALL MOUNTING



DOWNHILL DAN 30, FLAT FREDDIE 30

## 4 INSTALL LED STRIP, MAKE ELECTRICAL CONNECTION

1. MAKE ELECTRICAL CONNECTION: CONNECT LED STRIP TAILS TO LED DRIVER. (SEE FIG. 2 IF SUPPLIED WITH MALE/FEMALE CONNECTORS).
2. **IMPORTANT:** BEFORE MOUNTING LED STRIP, CLEAN EXTRUSION USING AN ALCOHOL BASED CLEANER.
3. REMOVE BACKING FROM LED STRIP TO EXPOSE STICKY SURFACE. LAY LED STRIP INTO EXTRUSION, USING THE SMALL GROOVES IN THE BACK OF THE EXTRUSION AS A GUIDE.
4. CLIP DIFFUSER INTO EXTRUSION, ENSURING A FIRM CONNECTION (SEE FIG. 3).

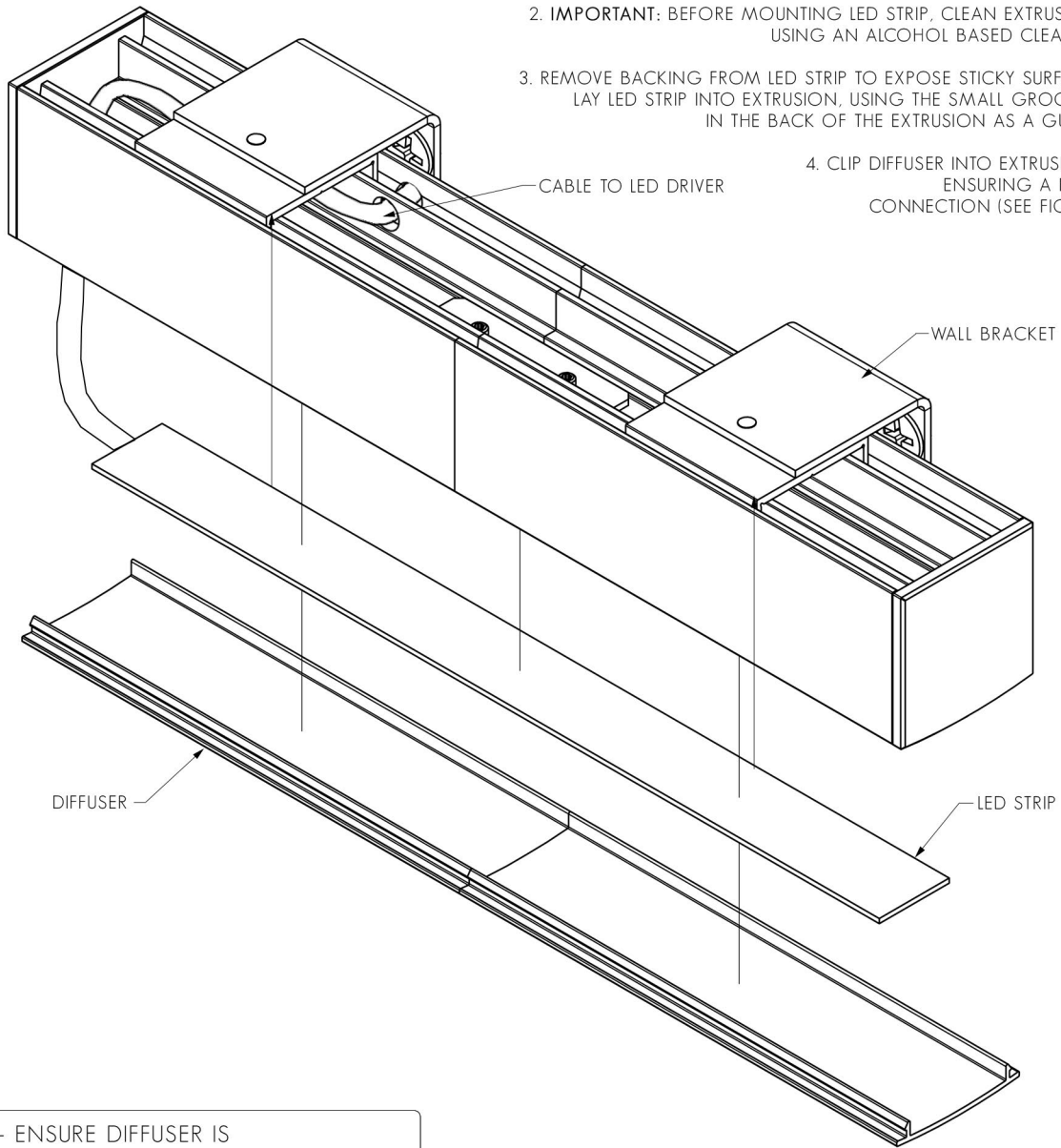


FIG. 3 - ENSURE DIFFUSER IS MOUNTED SECURELY

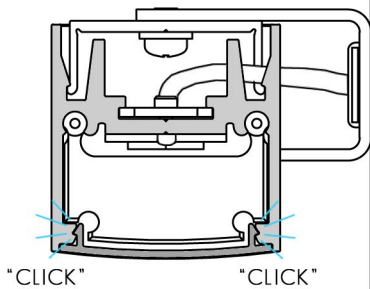


FIG. 2 - MAKE ELECTRICAL CONNECTION

