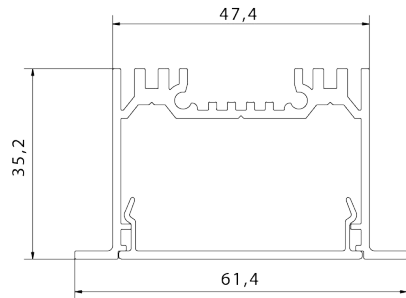


INSTRUCTIONS FOR SCREW FIXING

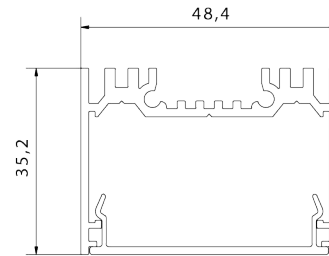


DOWNHILL DAN 35, FLAT FREDDIE 35

1 PRODUCT OVERVIEW



DOWNHILL DAN 35



FLAT FREDDIE 35

2 MOUNT EXTRUSION, MAKE ELECTRICAL CONNECTION

1. FEED LED STRIP TAILS (OR CABLE) THROUGH HOLE IN EXTRUSION. DO NOT INSTALL LED STRIP AT THIS POINT.
2. MAKE ELECTRICAL CONNECTION: CONNECT LED STRIP TAILS TO LED DRIVER.
3. INSERT END CAPS IN TO EXTRUSION AND TIGHTEN GRUB SCREWS.
4. IF USING MULTIPLE LENGTHS OF EXTRUSION, SLIDE EXTRUSIONS TOGETHER ON TO JOINERS OR BENDS. STRAIGHT JOINERS SHOULD HAVE 1X JOINER AT THE TOP (JN-ST-23) AND 2X JOINERS AT THE SIDES (JN-ST-21). 90 DEGREE BENDS SHOULD HAVE 1X JOINER AT THE TOP (JN-90-23) AND 2X JOINERS AT THE SIDES (JN-90-21).

5. SCREW EXTRUSION TO SURFACE. SCREWS SHOULD BE STAGGERED ALONG EXTRUSION TO ENSURE EXTRUSION REMAINS FLAT AGAINST SURFACE.

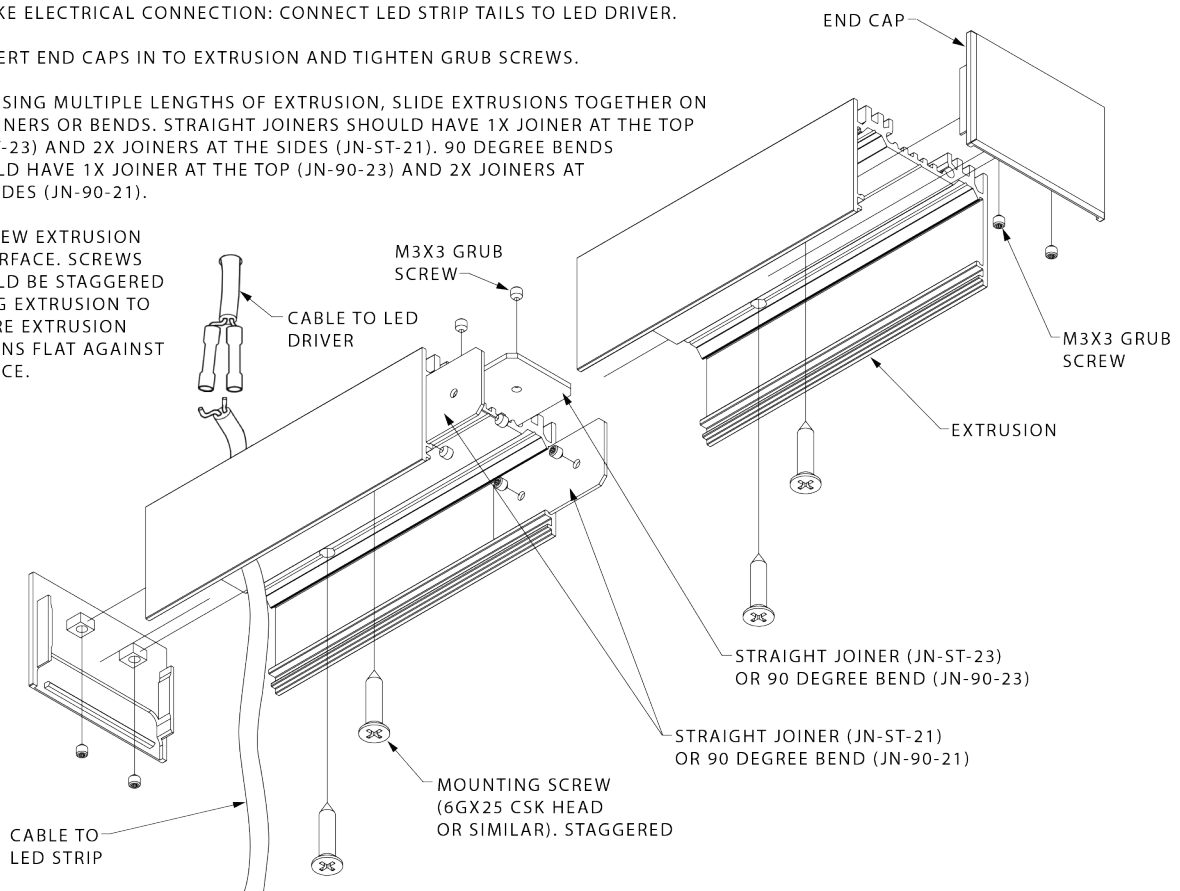
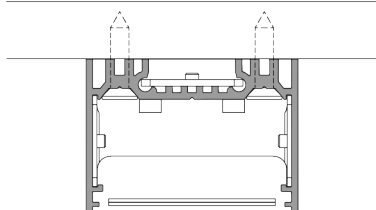


FIG. 1 - ENSURE EXTRUSION IS MOUNTED SECURELY



INSTRUCTIONS FOR SCREW FIXING



DOWNHILL DAN 35, FLAT FREDDIE 35

3 CLEAN EXTRUSION, INSTALL LED STRIP AND DIFFUSER

1. IMPORTANT: BEFORE MOUNTING LED STRIP, CLEAN EXTRUSION USING AN ALCOHOL-BASED CLEANER SUCH AS ISOPROPYL ALCOHOL.
2. REMOVE BACKING FROM LED STRIP TO EXPOSE STICKY SURFACE. LAY LED STRIP INTO EXTRUSION. USE KAPTON TAPE AT EACH END OF THE LED STRIP TO PREVENT LED STRIP FROM SHORTING ON EXTRUSION.
3. CLIP DIFFUSER INTO EXTRUSION, ENSURING A FIRM CONNECTION (SEE FIG. 2).

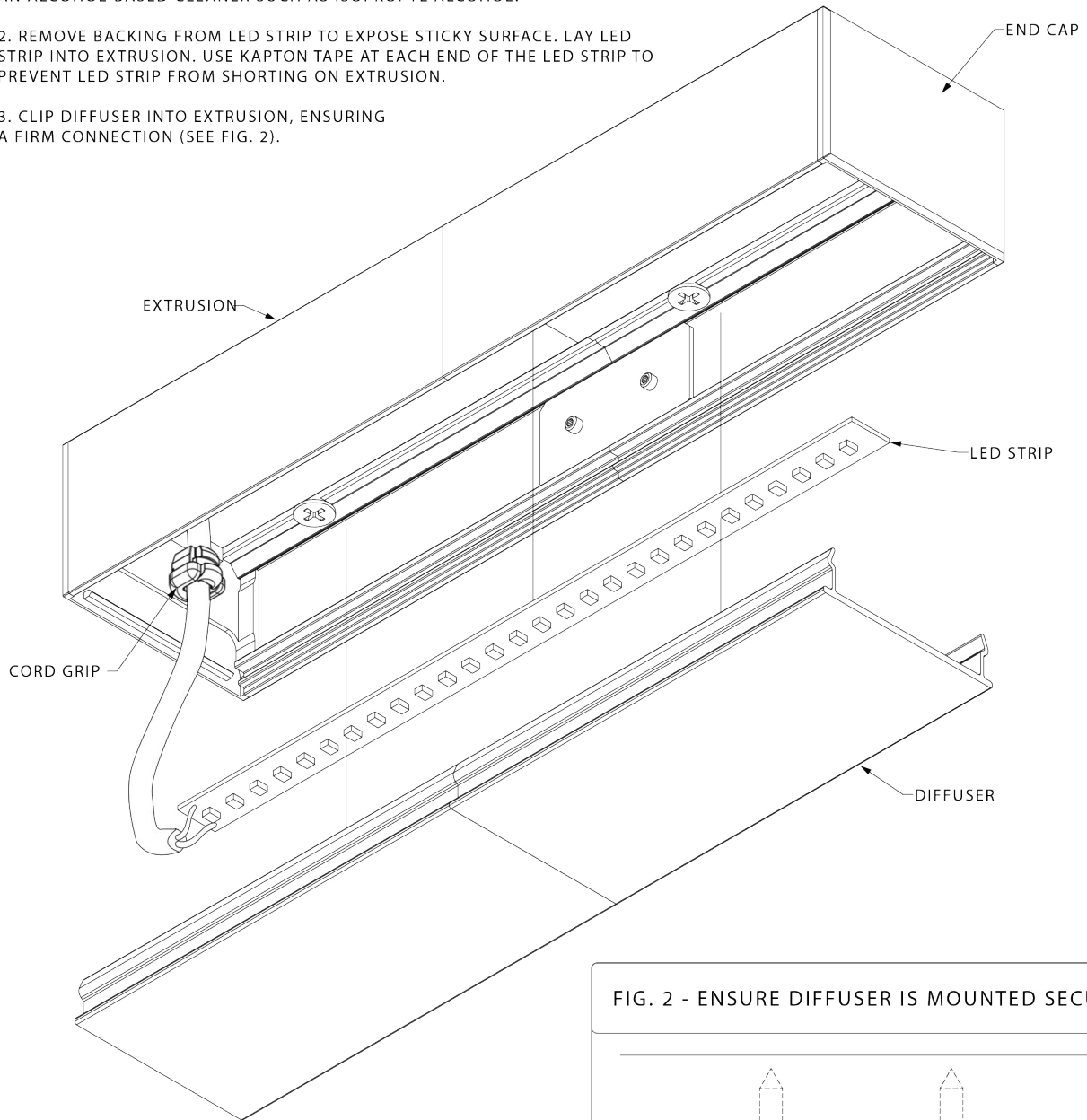


FIG. 2 - ENSURE DIFFUSER IS MOUNTED SECURELY

