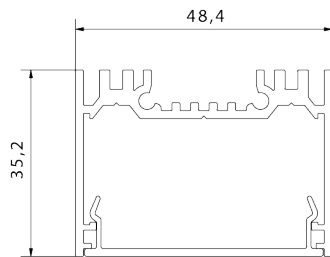
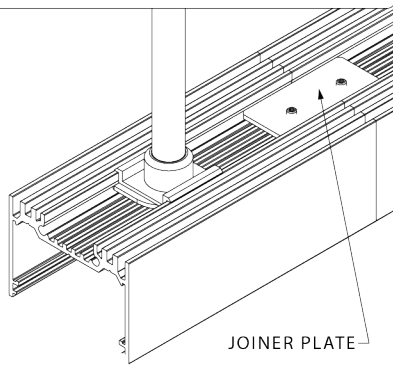


1 PRODUCT OVERVIEW



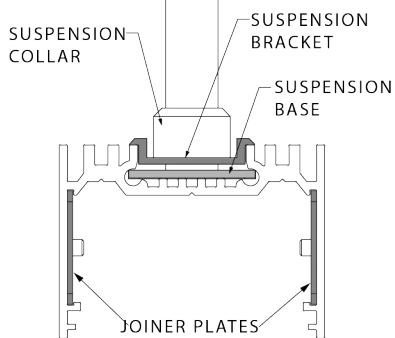
FLAT FREDDIE 35

FIG. 1 - ENSURE JOINERS AND ROD SUSPENSIONS ARE SECURE



JOINER PLATE

FIG. 2 - ENSURE ROD SUSPENSION IS SECURE



SUSPENSION COLLAR

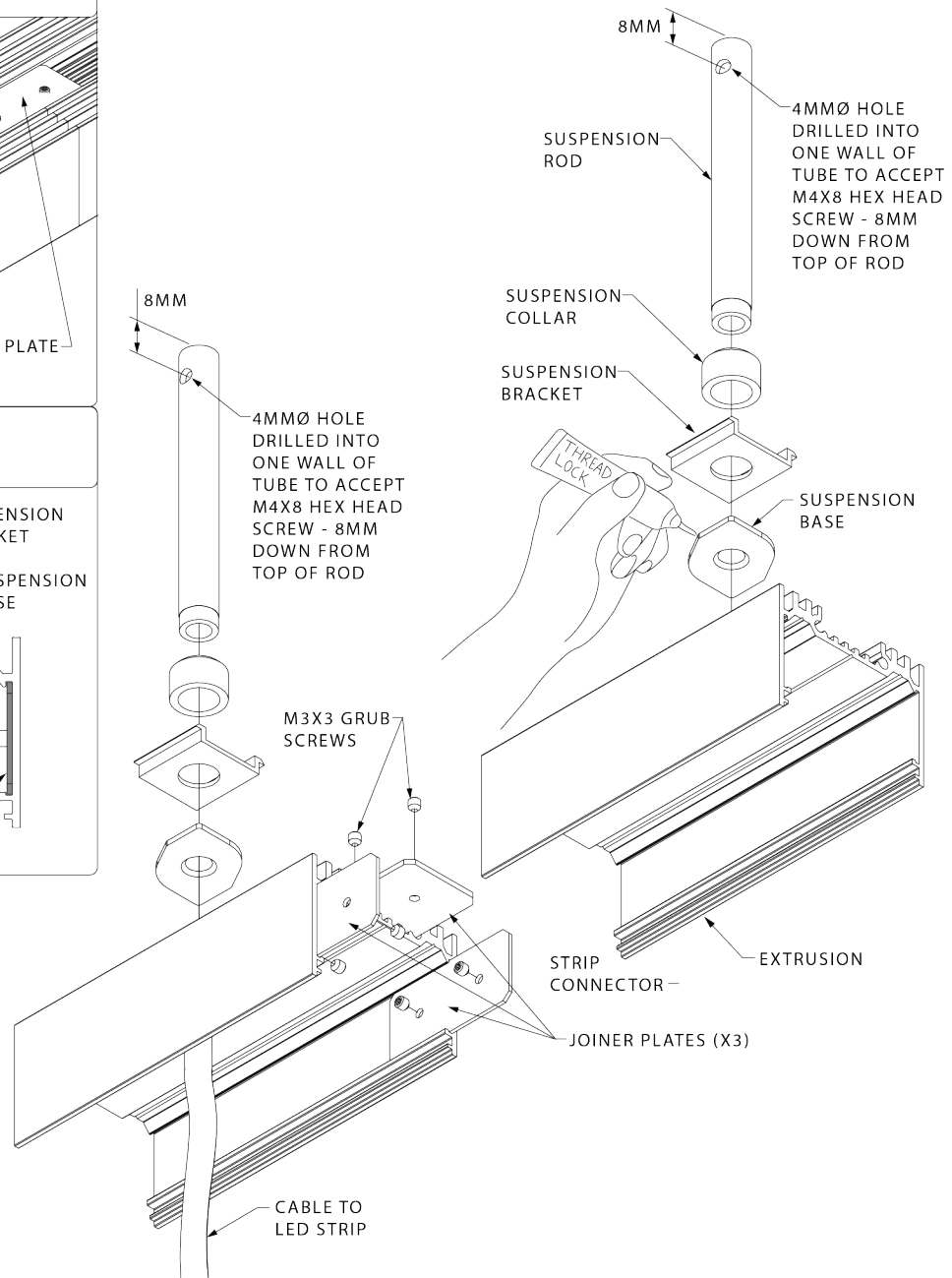
SUSPENSION BRACKET

SUSPENSION BASE

JOINER PLATES

2 JOIN EXTRUSIONS, ATTACH ROD SUSPENSIONS

1. IF USING MULTIPLE LENGTHS OF EXTRUSION, SLIDE EXTRUSIONS TOGETHER ON TO JOINERS OR BEND PLATES AND LOCK TOGETHER WITH M3 GRUB SCREWS.
2. CUT SUSPENSION RODS TO REQUIRED LENGTH, MAKING SURE TO CUT THE ENDS WITHOUT THE THREAD.
3. DRILL 4MMØ HOLE THROUGH ONE WALL ONLY OF THE ROD SUSPENSION, 8MM DOWN FROM THE TOP END OF THE ROD.
4. SCREW THE 'SUSPENSION COLLAR' ON TO THE THREADED ENDS OF THE SUSPENSION RODS.
5. PLACE THE 'SUSPENSION BASE' INTO THE TOP OF THE EXTRUSION THEN PLACE THE 'SUSPENSION BRACKET' OVER THE TOP OF THE 'SUSPENSION BASE'.
6. **IMPORTANT:** APPLY THREAD LOCK COMPOUND TO THE 'SUSPENSION BASE' THREAD AND SCREW THE 'SUSPENSION COLLAR' ON TO THE 'SUSPENSION BASE'. THE "WINGS" ON THE 'SUSPENSION BASE' SHOULD ROTATE AROUND INTO THE GROOVES IN THE FLAT FREDDIE 35 EXTRUSION. SEE FIGS. 1 & 2.



3 INSERT END CAPS, ASSEMBLE ROD SUSPENSION COMPONENTS

1. INSERT END CAPS INTO ENDS OF EXTRUSION AND TIGHTEN GRUB SCREWS.
2. IMPORTANT: BEFORE MOUNTING LED STRIP, CLEAN EXTRUSION USING AN ALCOHOL-BASED CLEANER SUCH AS ISOPROPYL ALCOHOL.
3. REMOVE BACKING FROM LED STRIP TO EXPOSE STICKY SURFACE. LAY LED STRIP INTO EXTRUSION. USE KAPTON TAPE AT EACH END OF THE LED STRIP TO PREVENT LED STRIP FROM SHORTING ON EXTRUSION.
4. CLIP DIFFUSER INTO EXTRUSION, ENSURING A FIRM CONNECTION (SEE FIG. 3).

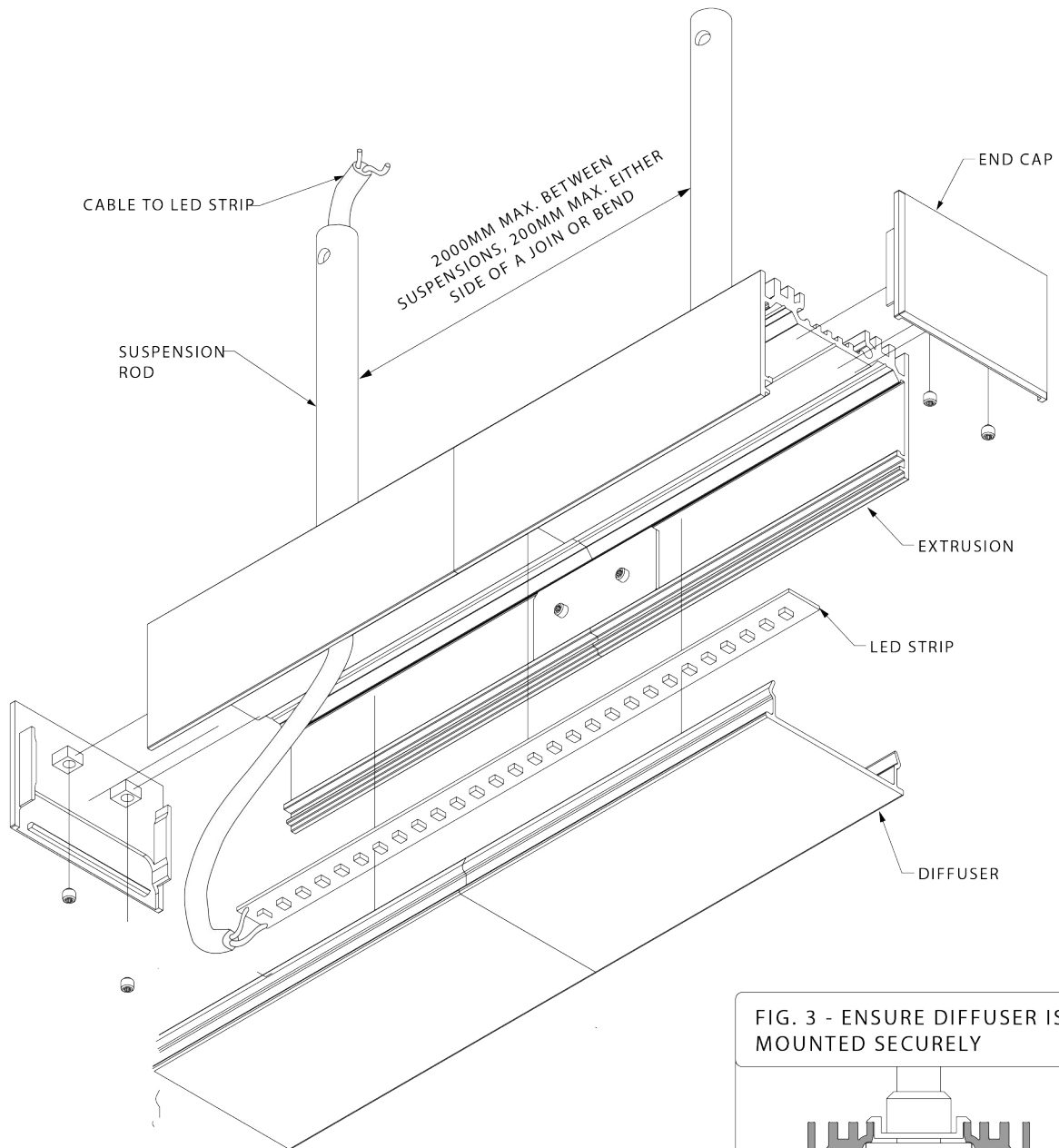
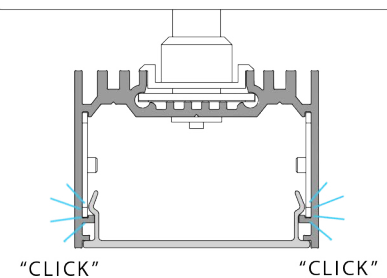
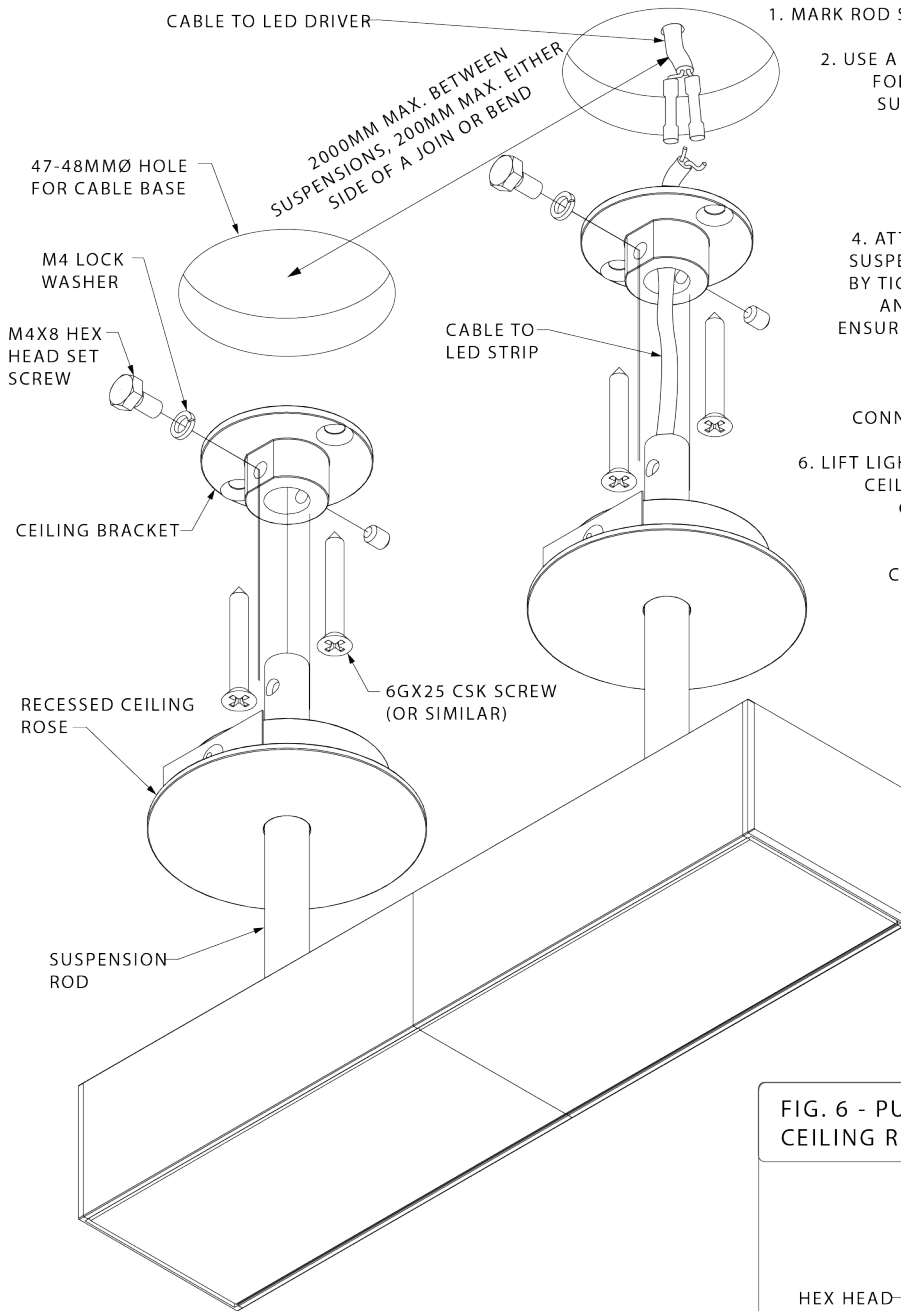


FIG. 3 - ENSURE DIFFUSER IS MOUNTED SECURELY



4 MAKE ELECTRICAL CONNECTION, ATTACH SUSPENSIONS, HANG LIGHT



1. MARK ROD SUSPENSION LOCATIONS ON CEILING.
2. USE A HOLE SAW TO CUT 47-48MMØ HOLES FOR RECESSED CEILING ROSES. IF USING SURFACE MOUNTED CEILING ROSE, SKIP THIS STEP AND GO ON TO STEP 3.
3. PLACE CEILING ROSE LOOSELY OVER SUSPENSION ROD.
4. ATTACH CEILING BRACKETS TO TOPS OF SUSPENSION RODS AND LOCK IN TO PLACE BY TIGHTENING GRUB SCREW ON ONE SIDE AND HEX HEAD SCREW ON OTHER SIDE, ENSURING HEX HEAD SCREW FITS THROUGH 4MMØ HOLE IN SUSPENSION ROD.
5. MAKE ELECTRICAL CONNECTION: CONNECT LED STRIP TAILS TO LED DRIVER.
6. LIFT LIGHT ASSEMBLY UP TO CEILING AND FIX CEILING BRACKETS INTO FRAMING USING 6GX25MM CSK SCREWS (OR SIMILAR).
7. PUSH CEILING ROSE INTO HOLE IN CEILING (SEE FIG. 5 OR FIG. 6 IF USING SURFACE MOUNTED CEILING ROSE).

FIG. 4 - ENSURE SUSPENSION RODS ARE TIGHTLY SECURED

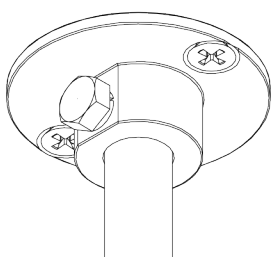


FIG. 5 - INSERT CEILING ROSE IN TO CEILING

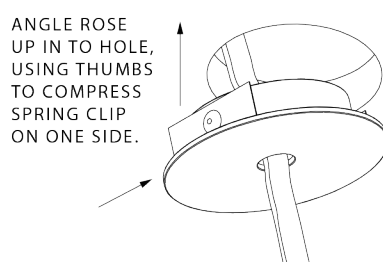


FIG. 6 - PUSH SURFACE MOUNTED CEILING ROSE COVER ON TO BRACKET

