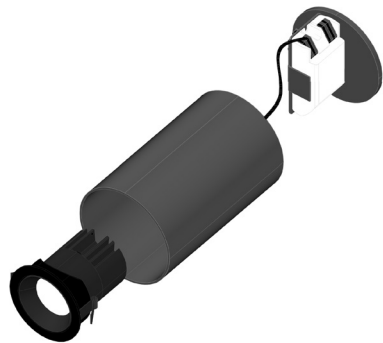
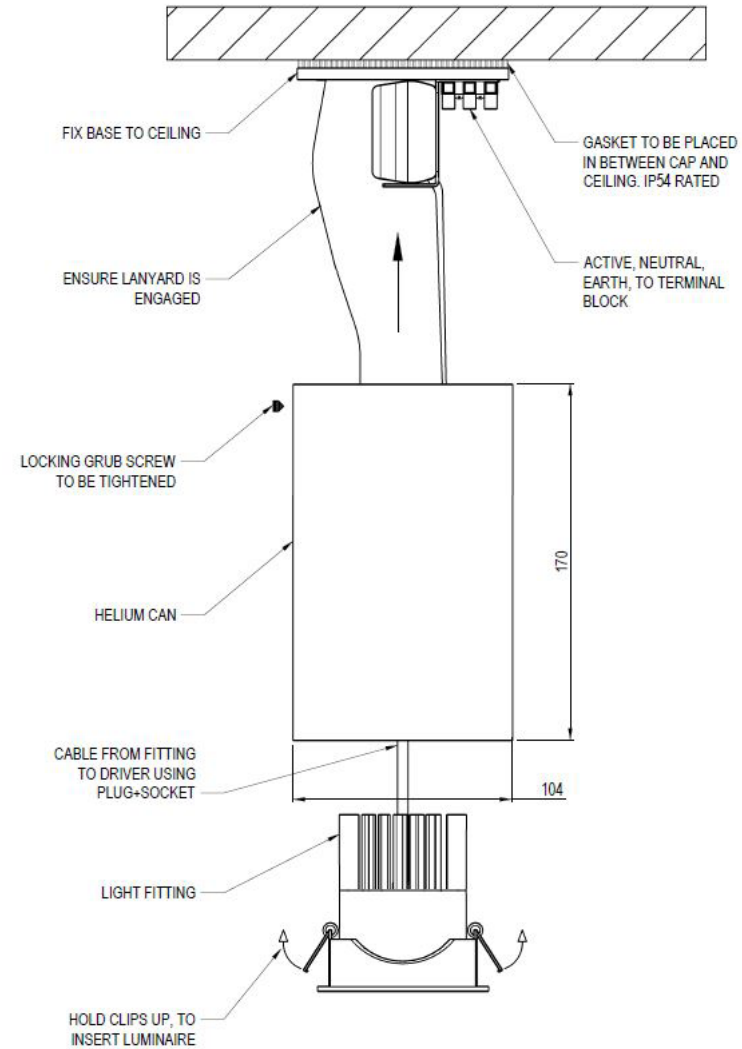


INSTALLATION INSTRUCTIONS HELIUM CAN

HELIUM CAN 104

INSTALLATION GUIDANCE

SURFACE MTG



SAFETY NOTES

- INSTALLATION BY SUITABLE TRAINED AND QUALIFIED PERSONAL ONLY.
- NEVER WORK WHEN VOLTAGE IS PRESENT ON THE FIXTURE
- IN THE CASE OF MALFUNCTIONS WITH THE FIXTURE PLEASE CONTACT LIGHT CULTURE
- LED MODULE RISK GROUP ONE
-  WARNING - RISK OF ELECTRIC SHOCK
- THE MAXIMUM PERMISSABLE AMBIENT TEMPERATURE T_a OF THE LUMINAIRE MAY NOT BE EXCEEDED. EXCEEDING THIS TEMPERATURE REDUCES THE SERVICE LIFE AND, IN EXTREME CASES, EARLY FAILURE CAN OCCUR.



FEATURES

- 104mm DIAMETER
- SUSPENDED AND SURFACE
- SERVICE LIFE 50,000 H L90, t_a 25°C