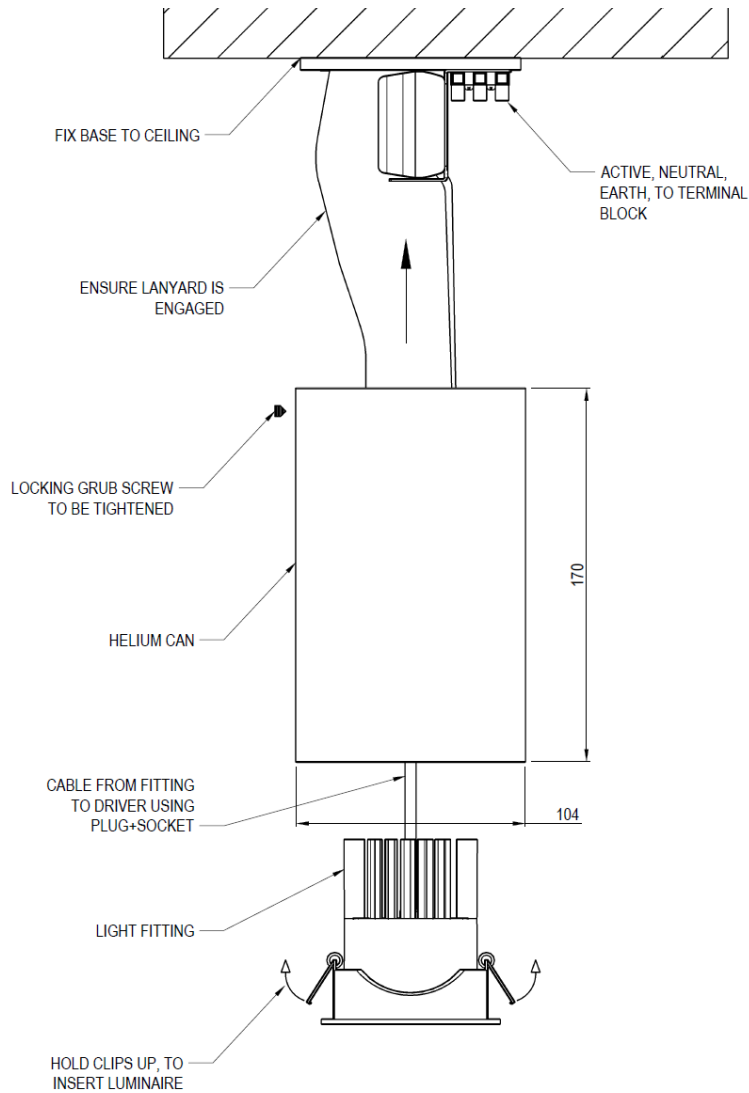


INSTALLATION INSTRUCTIONS HELIUM CAN

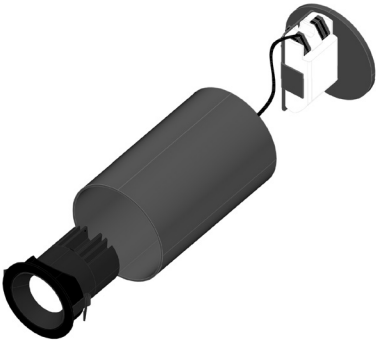
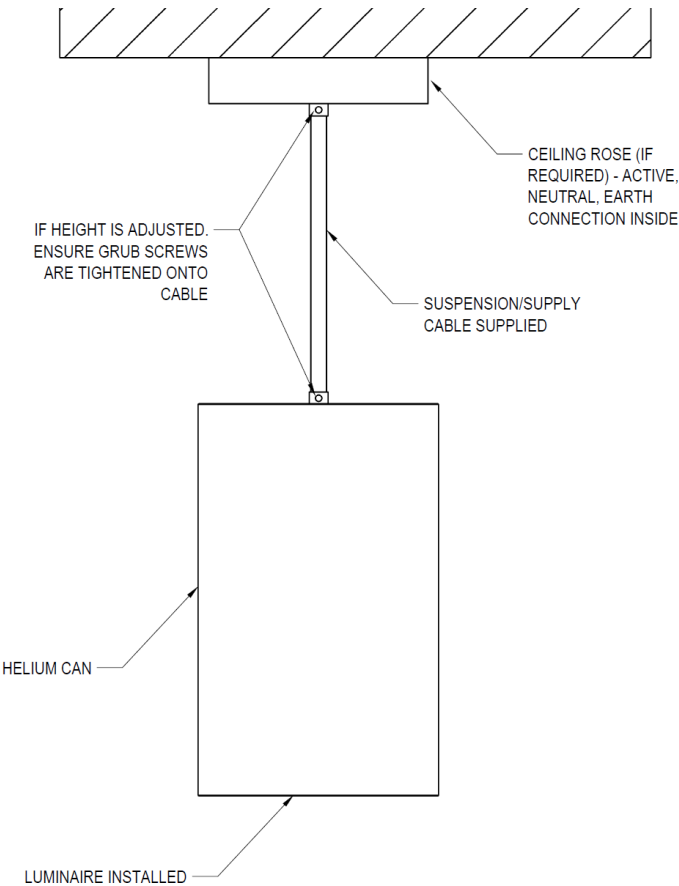
HELIUM CAN 104

INSTALLATION GUIDANCE


SURFACE MTG



SUSPENDED



SAFETY NOTES

- INSTALLATION BY SUITABLE TRAINED AND QUALIFIED PERSONAL ONLY.
- NEVER WORK WHEN VOLTAGE IS PRESENT ON THE FIXTURE
- IN THE CASE OF MALFUNCTIONS WITH THE FIXTURE PLEASE CONTACT LIGHT CULTURE
- LED MODULE RISK GROUP ONE
-  WARNING - RISK OF ELECTRIC SHOCK
- THE MAXIMUM PERMISSABLE AMBIENT TEMPERATURE T_a OF THE LUMINAIRE MAY NOT BE EXCEEDED. EXCEEDING THIS TEMPERATURE REDUCES THE SERVICE LIFE AND, IN EXTREME CASES, EARLY FAILURE CAN OCCUR.

NOTES FOR SURFACE MOUNT

- MOUNT BASE TO CEILING FIRST SEPERATE. THEN SCREW CAN TO BASE. NEXT WIRE THE LIGHT FITTING TO THE CAN. LAST STEP IS FIT THE LIGHT FITTING TO CAN.
- FAILURE TO DO SO IN THIS ORDER WILL CAUSE CABLE TO TWIST.

FEATURES

- 104mm DIAMETER
- SUSPENDED AND SURFACE
- SERVICE LIFE 50,000 H L90, t_a 25°C

