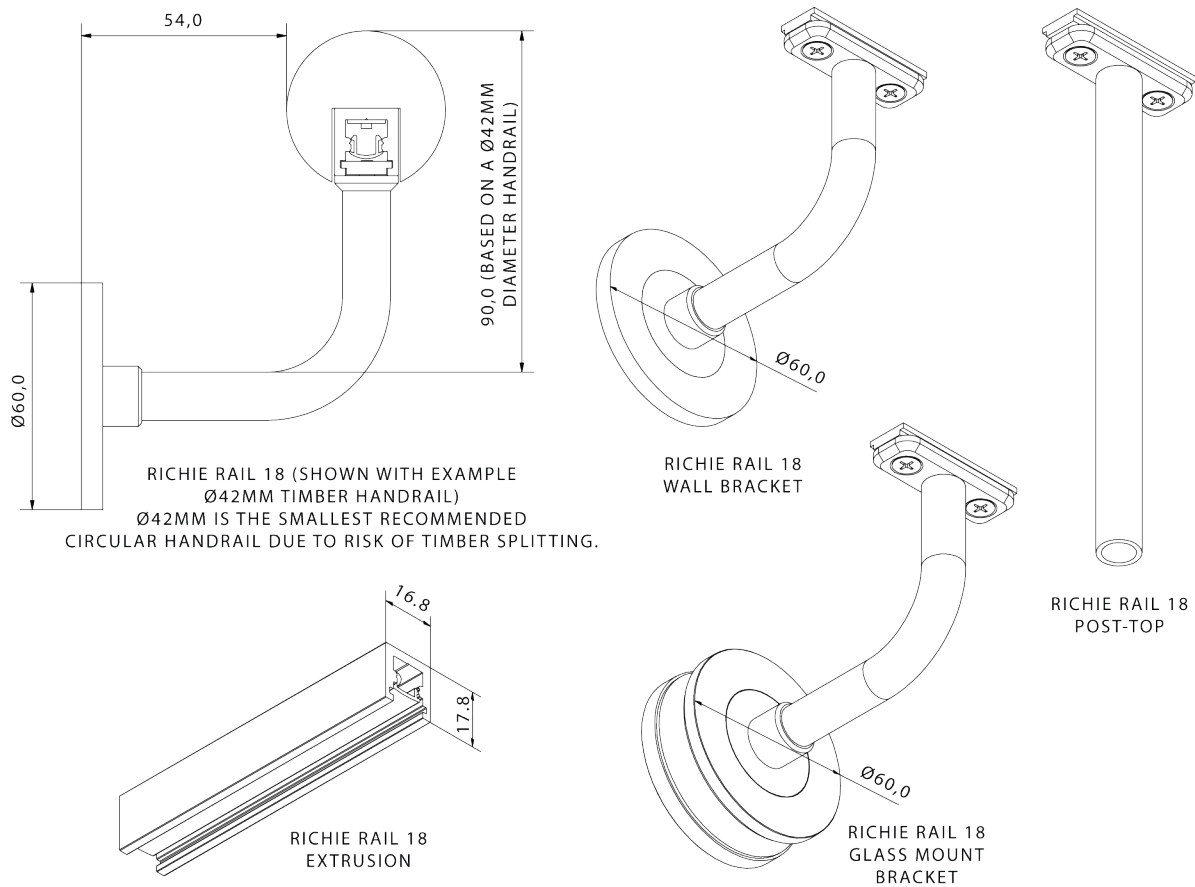


1 PRODUCT OVERVIEW AND COMPONENTS / ACCESSORIES



2 PLAN AND SET OUT HANDRAIL

IMPORTANT NOTE: WALL BRACKETS SHOULD ALWAYS BE FIXED TO A SOLID MATERIAL (E.G. TIMBER).

MAXIMUM RECOMMENDED SPAN/DISTANCES:

- BETWEEN WALL BRACKETS IS 1000MM (MEASURED PARALLEL WITH THE PITCH OF THE HANDRAIL)
- FROM AN END IS 200MM
- FROM A MITRED BEND IS 100MM (AT LEAST ONE SIDE OF A BEND)

ABOVE SPANS/DISTANCES ARE RECOMMENDATIONS ONLY - CHECK WITH TIMBER SUPPLIER REGARDING CHARACTERISTICS OF SPECIFIC TIMBER BEING USED.

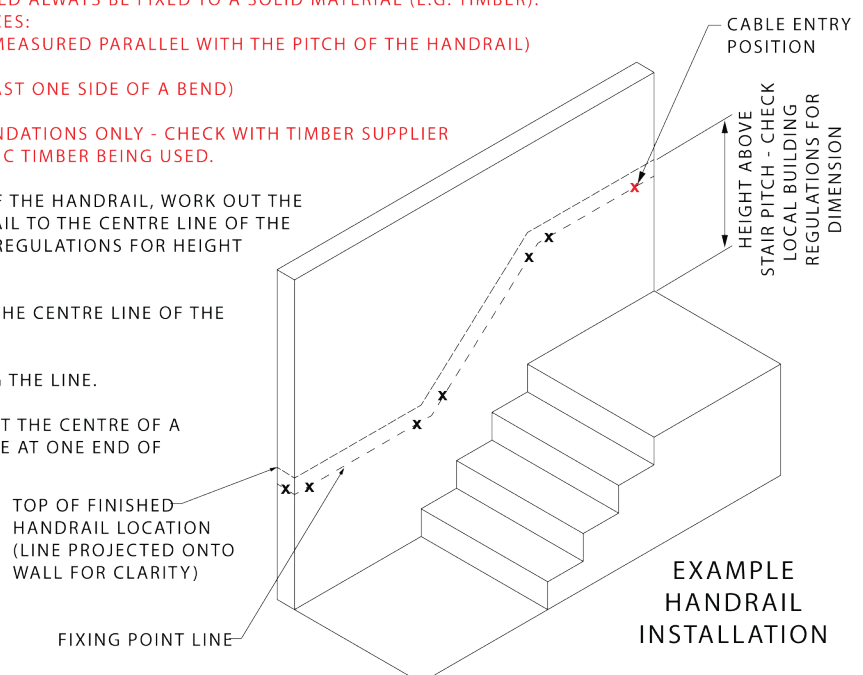
1. BASED ON THE TIMBER PROFILE SIZE OF THE HANDRAIL, WORK OUT THE DISTANCE FROM THE TOP OF THE HANDRAIL TO THE CENTRE LINE OF THE WALL BRACKET. CHECK LOCAL BUILDING REGULATIONS FOR HEIGHT REQUIREMENTS.

2. RUN A LASER LINE OR STRING LINE AT THE CENTRE LINE OF THE WALL BRACKETS.

3. MARK FIXING POINT LOCATIONS ALONG THE LINE.

4. BRING POWER CABLE THROUGH WALL AT THE CENTRE OF A WALL BRACKET. THIS WOULD TYPICALLY BE AT ONE END OF THE HANDRAIL.

- x = FIXING POINTS
- x = CABLE ENTRY FIXING POINT

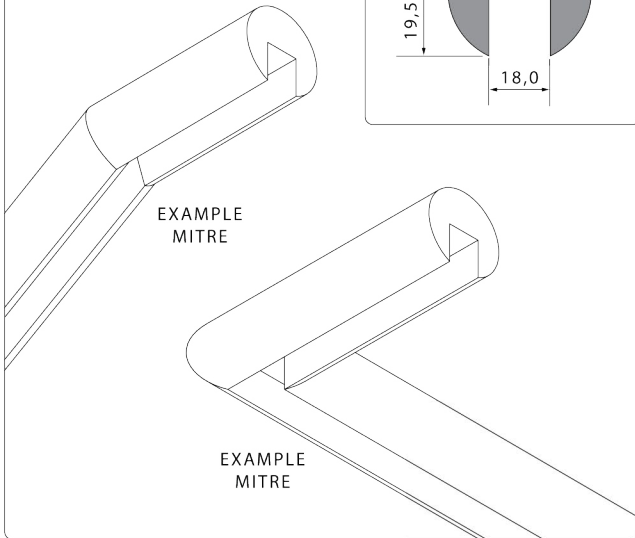
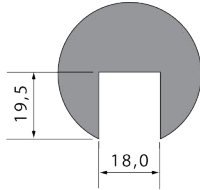


3 ROUTE REBATE IN TIMBER HANDRAIL, CUT AND MITRE AS REQUIRED

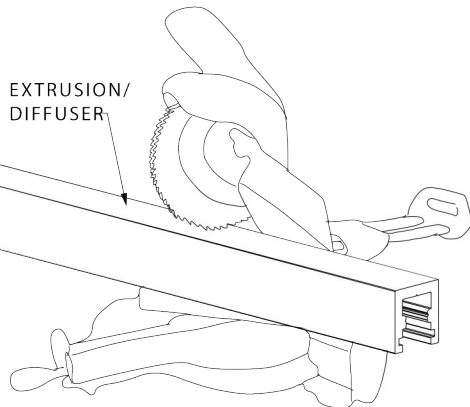
1. ROUTE 18MM WIDE X 19.5MM DEEP REBATE IN UNDERSIDE OF TIMBER HANDRAIL.

2. CUT MITRES AS REQUIRED.

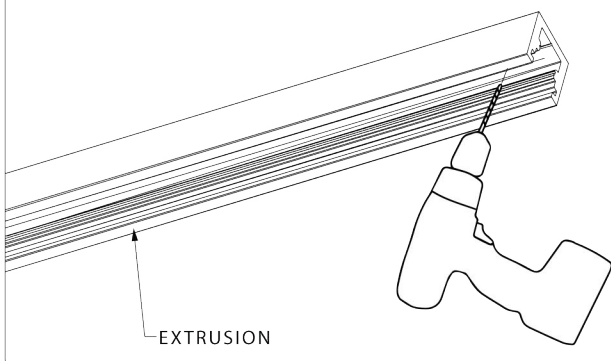
FIG. 1



4 CUT EXTRUSION AND DIFFUSER TO REQUIRED LENGTHS



5 DRILL 4.5MM HOLES IN EXTRUSION, THEN COUNTERSINK



6 INSERT SLIDERS, MOUNT EXTRUSION, LED STRIP AND DIFFUSER

1. INSERT SLIDERS INTO EXTRUSION.

2. LAY EXTRUSION INTO TIMBER HANDRAIL AND DRILL 3.5MM PILOT HOLES INTO TIMBER, TAKING EXTRA CARE NOT TO DRILL TOO FAR.

3. SCREW ALUMINIUM EXTRUSION INTO HANDRAIL USING 8GX18 316 STAINLESS STEEL CSK SELF-TAPPING SCREWS.

4. IMPORTANT: BEFORE MOUNTING LED STRIP, CLEAN EXTRUSION USING AN ALCOHOL BASED CLEANER.

5. REMOVE BACKING FROM LED STRIP TO EXPOSE STICKY SURFACE. LAY LED STRIP INTO EXTRUSION.

6. CLIP DIFFUSERS INTO EXTRUSION. SEE FIG. 2 BELOW.

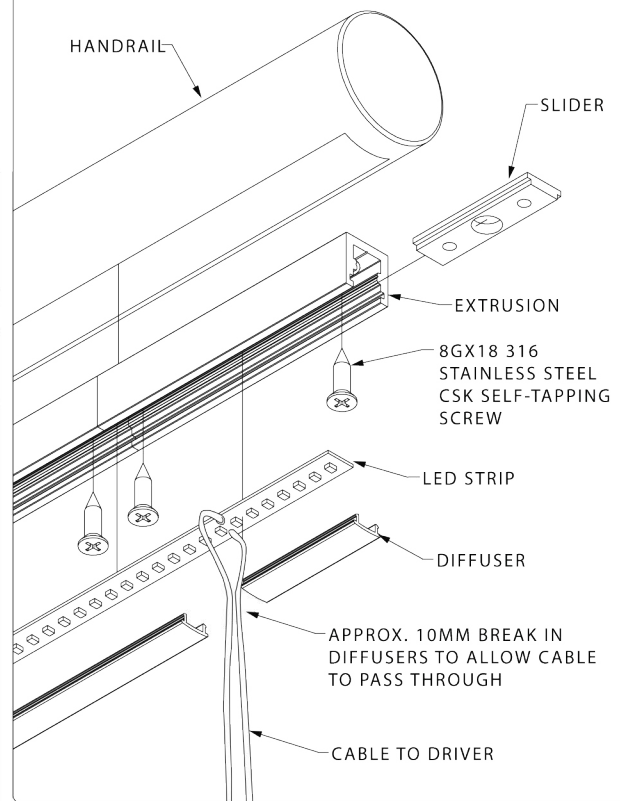
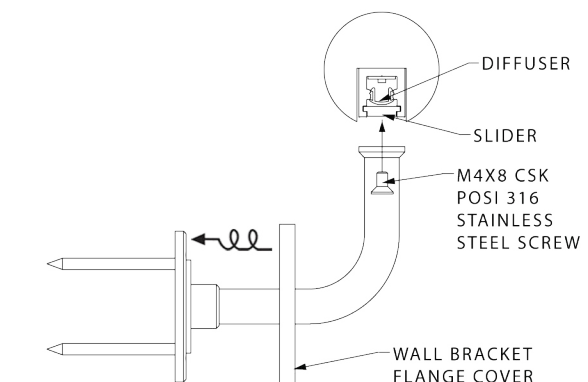


FIG. 2



7 INSTALL WALL BRACKETS (SEE FIGS. 3 & 4 FOR GLASS MOUNT & POST TOP BRACKETS)

1. PLACE WALL BRACKET FLANGE COVER OVER WALL BRACKET AND LEAVE LOOSE.
2. FEED LED STRIP TAILS DOWN THROUGH WALL BRACKET.
3. SCREW WALL BRACKETS TO WALL BRACKET SLIDERS USING M4X8 CSK POSI 316 STAINLESS STEEL SCREWS AND SECURE SCREWS WITH THREAD LOCK COMPOUND.
4. CONNECT LED STRIP TAILS TO DRIVER.
5. SCREW WALL BRACKETS TO WALL USING 8GX50 CSK 316 STAINLESS STEEL SCREWS.
6. SCREW WALL BRACKET FLANGE COVER ONTO WALL BRACKET FLANGE.
7. SEE FIG. 2 ON PREVIOUS PAGE FOR MORE DETAIL.

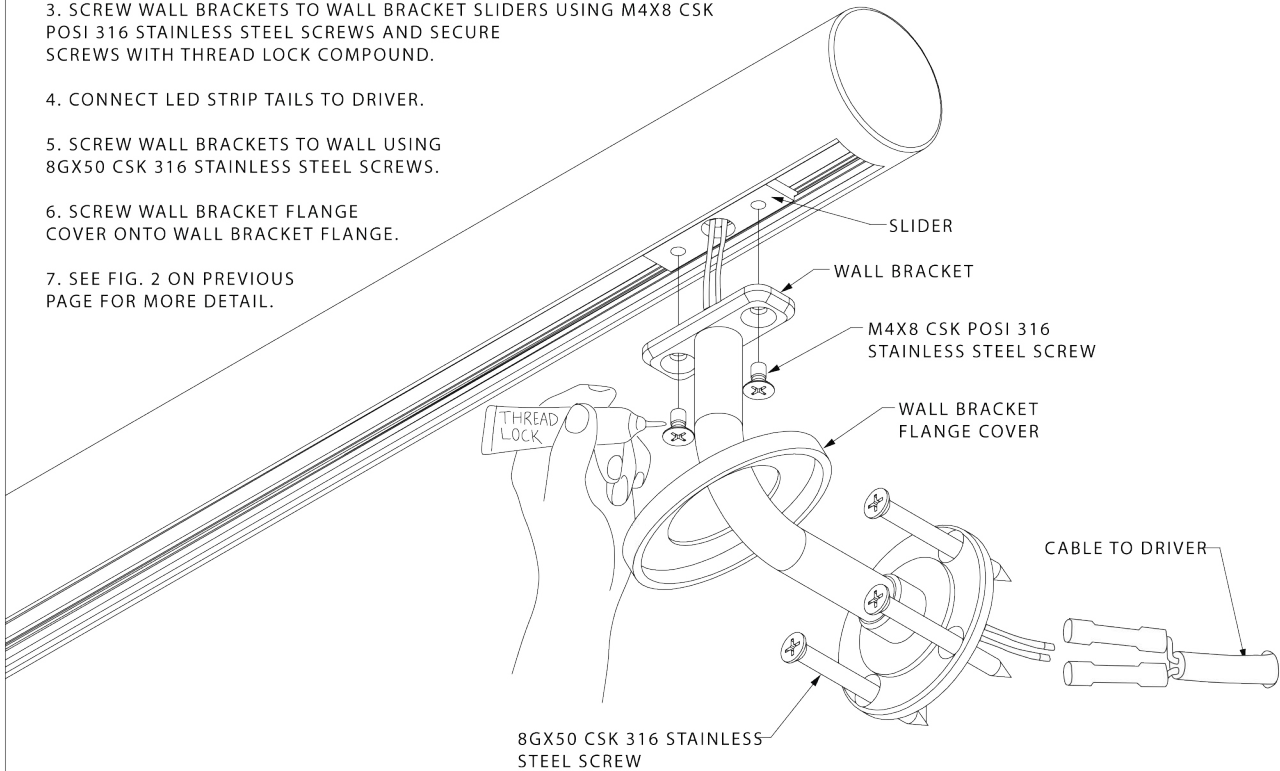


FIG. 3 - INSTALL GLASS MOUNT BRACKETS, IF REQUIRED

1. DRILL HOLES IN GLASS BALUSTRADE USING A 22MM DIAMOND HOLE SAW.
2. PLACE WASHER ON FRONT PLATE, THEN INSERT FRONT PLATE INTO HOLE IN GLASS.
3. INSERT 2MM SPACERS INTO HOLE IN GLASS - USE 5X SPACERS FOR 10MM GLASS, 6X SPACERS FOR 12MM GLASS AND SO ON.
4. ADD SECOND WASHER TO BACK PLATE AND TIGHTEN M8X25MM SET SCREW. USE THREAD LOCKER TO SECURE SCREW.

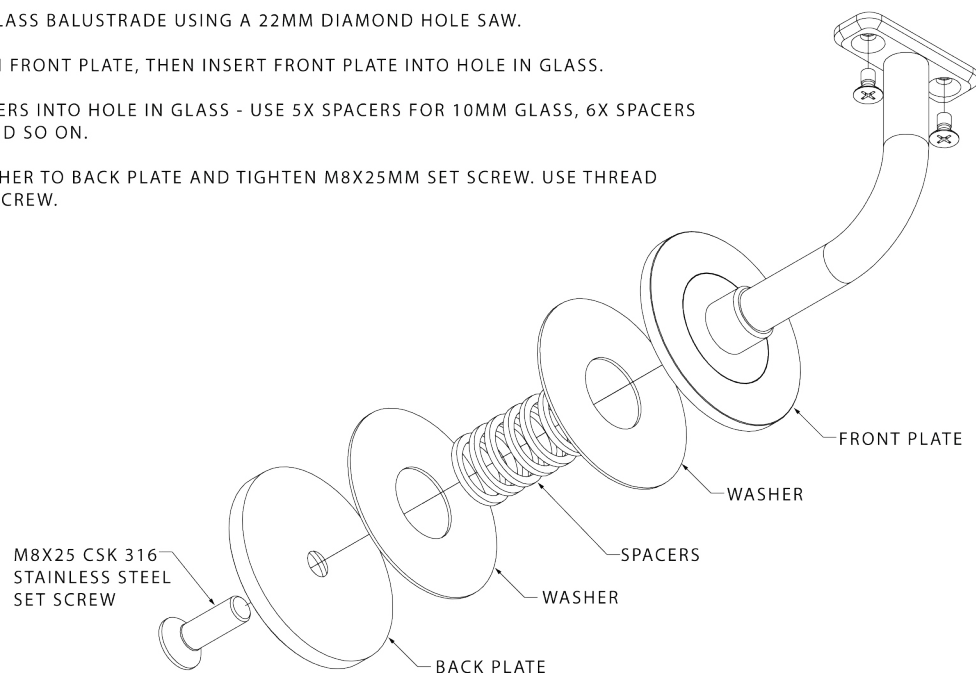


FIG. 4 - INSTALL POST-TOP BRACKETS, IF REQUIRED

1. WELD DISCS TO TOP AND TO DESIRED DEPTH INSIDE STANCHION (BLANK TUBE) TO SUPPORT POST TOP BRACKET.
2. IF REQUIRED, POST TOP BRACKETS CAN BE BENT TO SUIT THE ANGLES OF RAMPS OR STAIRS.
2. FEED LED STRIP TAILS DOWN THROUGH POST TOP BRACKET.
3. SCREW POST TOP BRACKETS TO SLIDERS USING M4X8 CSK POSI 316 STAINLESS STEEL SCREWS AND SECURE SCREWS WITH THREAD LOCK COMPOUND.
4. CONNECT LED STRIP TAILS TO DRIVER.
5. FIX STANCHIONS TO FLOOR / GROUND.

