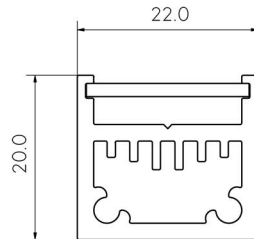


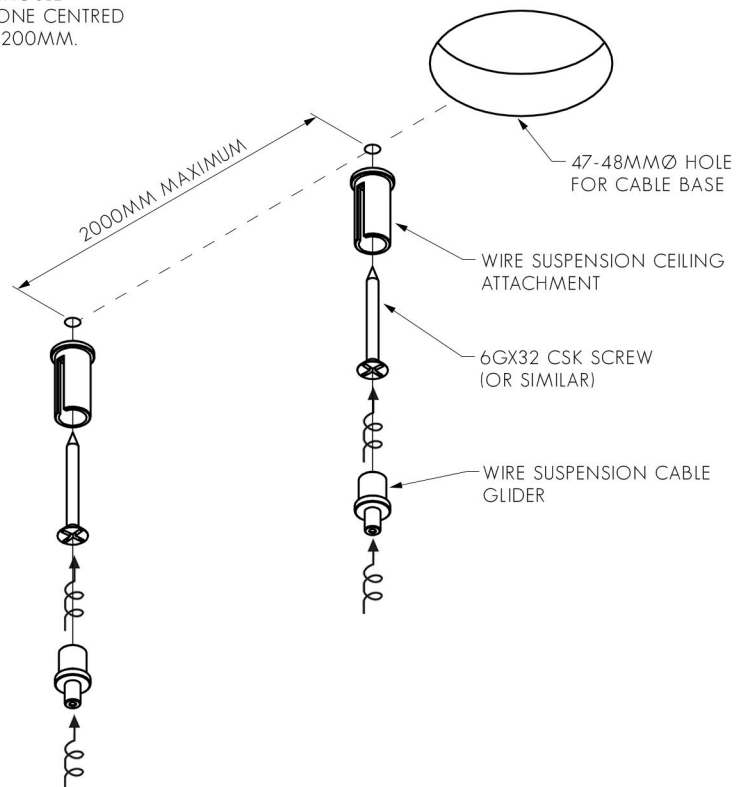
1 PRODUCT OVERVIEW



SONNY SIDE UP 22

2 DRILL HOLES FOR SUSPENSION CEILING ATTACHMENTS AND INSTALL

NOTE: MOUNTING HOLES MUST BE DRILLED WITHIN 200MM OF EACH END AND WITHIN 200MM EITHER SIDE OF A JOIN OR BEND.
E.G. A 2500MM EXTRUSION SHOULD HAVE 3 MOUNTING POINTS, ONE CENTRED AND ONE EACH END WITHIN 200MM.



3 JOIN EXTRUSIONS, INSTALL LED STRIP, SLIDE IN DIFFUSERS AND SUSPENSIONS

1. FEED WIRE SUSPENSION CABLES THROUGH HOLES IN JOINER BRACKET, CABLE ENTRY BRACKET AND SUSPENSION BRACKETS.
2. IF USING MULTIPLE LENGTHS OF EXTRUSION, JOIN USING THE JOINER BRACKET. DO NOT TIGHTEN GRUB SCREWS YET.
3. **IMPORTANT:** BEFORE MOUNTING LED STRIP, CLEAN EXTRUSION USING AN ALCOHOL BASED CLEANER.
4. REMOVE BACKING FROM LED STRIP TO EXPOSE STICKY SURFACE. LAY LED STRIP INTO EXTRUSION, UNDER THE JOINER BRACKET.
5. LOCK EXTRUSIONS IN PLACE BY TIGHTENING GRUB SCREWS IN JOINER BRACKET. BE CAREFUL NOT TO TIGHTEN ON TO LED STRIP OR CABLE (SEE FIG. 1).
6. SLIDE DIFFUSERS INTO EXTRUSION (SEE FIG. 2).
7. SLIDE CABLE ENTRY BRACKET INTO EXTRUSION, THEN SECURE CABLE WITH CABLE CLAMP. PUSH CABLE CLAMP INTO CABLE ENTRY BRACKET. (SEE FIG. 3).
8. SLIDE REMAINING WIRE SUSPENSION BRACKETS INTO POSITION.

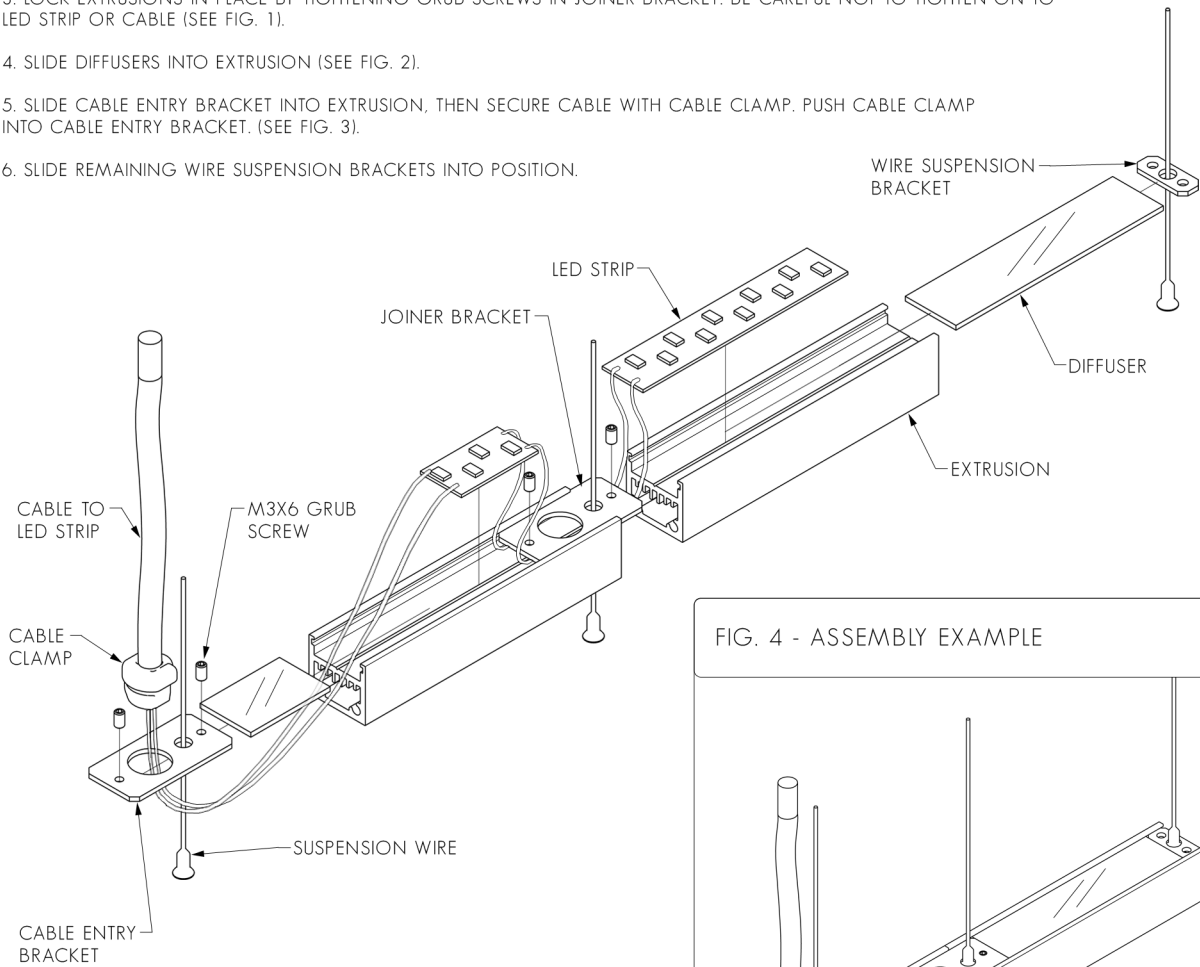


FIG. 4 - ASSEMBLY EXAMPLE

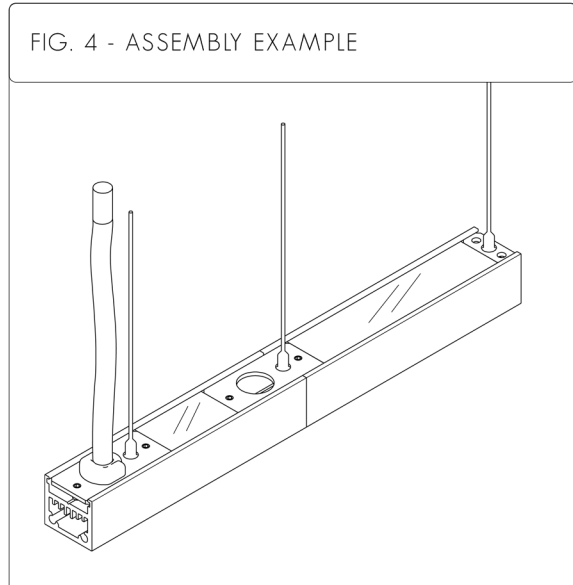


FIG. 1 - LOCK EXTRUSIONS TOGETHER ONTO JOINER

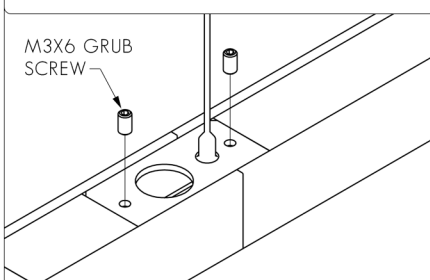


FIG. 2 - CHECK POSITION OF BRACKETS & DIFFUSERS

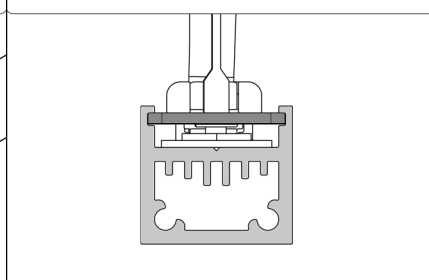
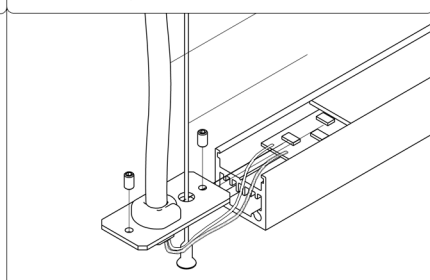


FIG. 3 - SLIDE IN CABLE ENTRY BRACKET, CLAMP CABLE



4 INSTALL SUSPENSIONS, END CAPS, MAKE ELECTRICAL CONNECTION, INSTALL CABLE BASE

47-48MMØ HOLE FOR CABLE BASE

CABLE TO LED DRIVER (1.50MM² 2 CORE FOR ONE CIRCUIT, 1.50MM² 4 CORE FOR TWO CIRCUITS)

1. FEED WIRE SUSPENSION CABLES IN TO CEILING ATTACHMENTS. PRESS NIPPLE INWARDS TO ADJUST CABLE LENGTH (SEE FIG. 5).
2. ONCE CORRECT SUSPENSION HEIGHT HAS BEEN DETERMINED, CUT OFF EXCESS SUSPENSION WIRE USING SIDE CUTTERS. (SEE FIG. 5).
3. SLIDE END CAPS INTO ENDS OF EXTRUSION.
4. MAKE ELECTRICAL CONNECTION: CONNECT LED STRIP TAILS TO LED DRIVER.
5. PUSH CABLE BASE INTO HOLE IN CEILING (SEE FIG. 6).

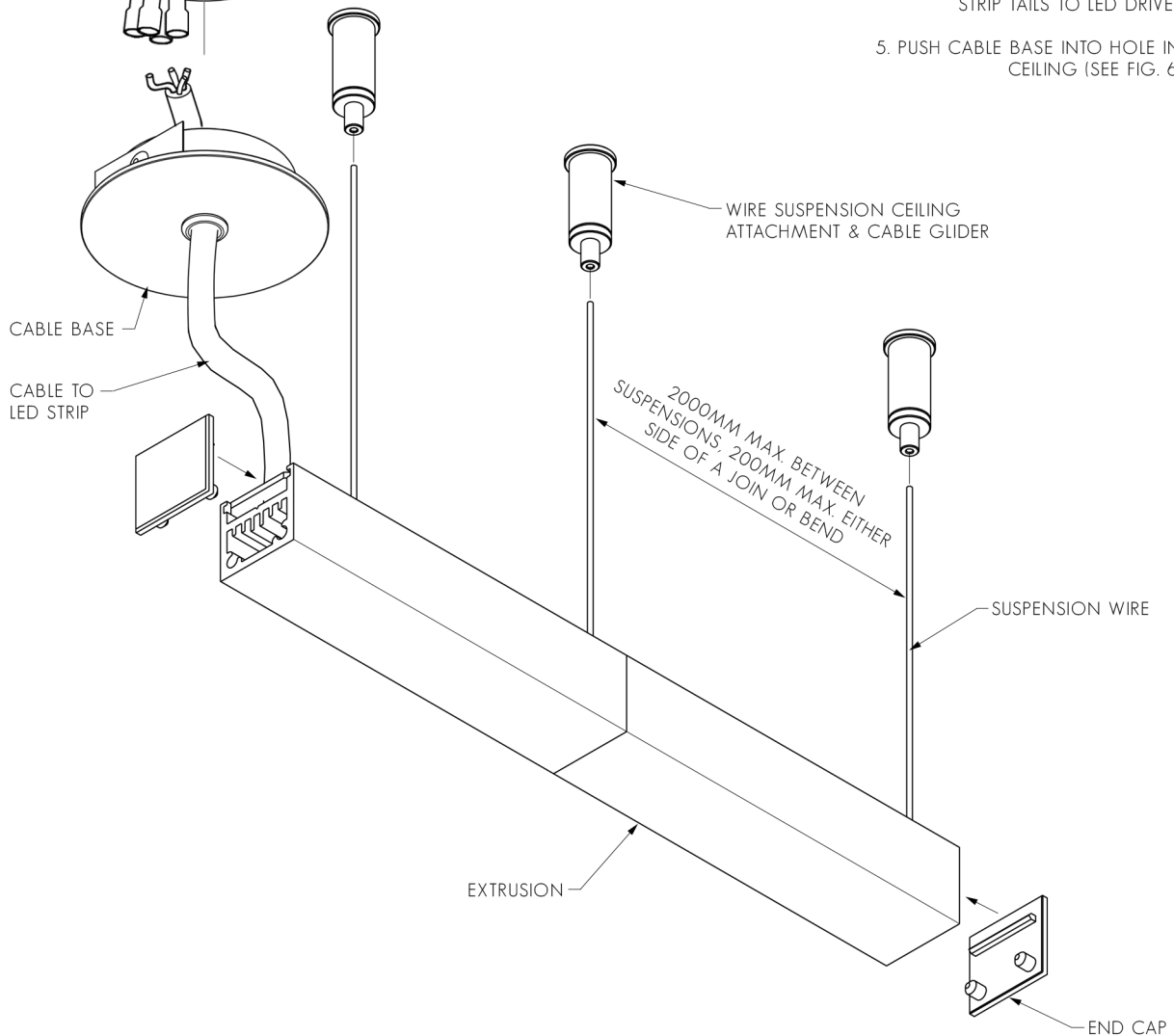


FIG. 5 - ADJUST SUSPENSION CABLE

ONCE SUSPENSION LENGTH HAS BEEN SET, CUT OFF EXCESS SUSPENSION CABLE

PRESS TO ADJUST CABLE LENGTH

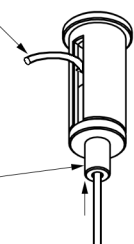


FIG. 6 - INSERT CABLE BASE IN TO CEILING

ANGLE CABLE UP IN TO HOLE, USING THUMBS TO COMPRESS SPRING CLIP ON ONE SIDE.

