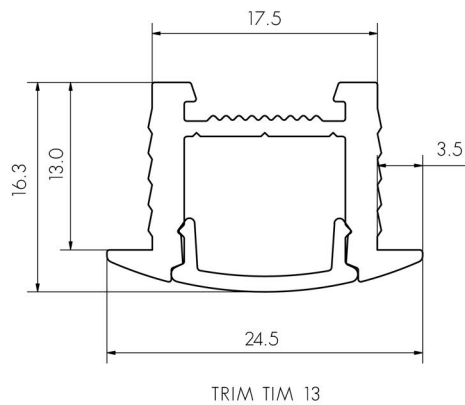
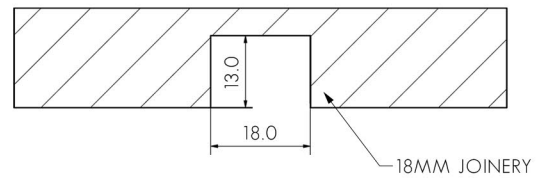


1 PRODUCT OVERVIEW

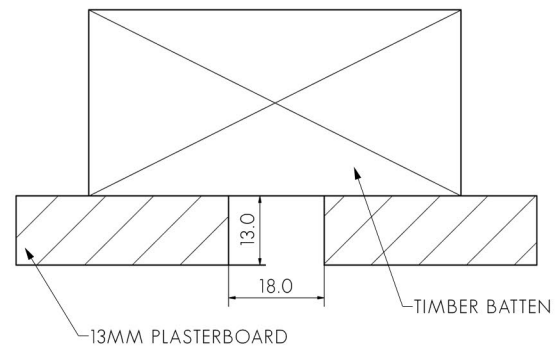


2 CREATE RECESS

RECESS IN JOINERY - GO TO STEP 3



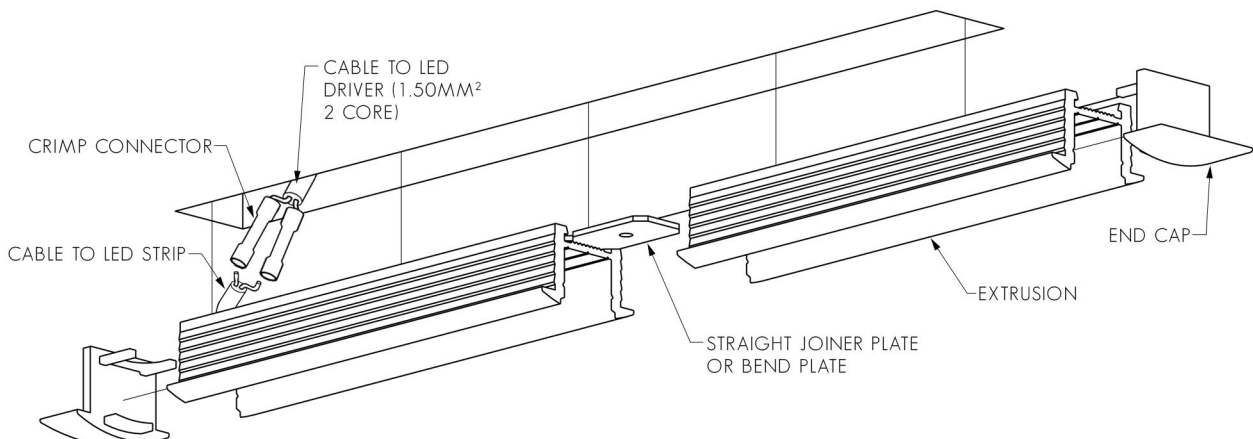
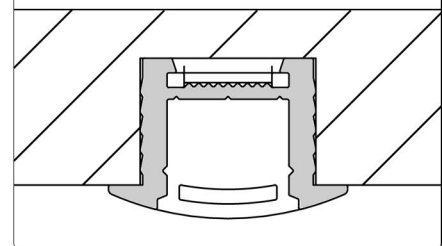
RECESS IN PLASTERBOARD - GO TO STEP 4



3 FOR INSTALLATION INTO JOINERY. GO TO STEP 4 IF INSTALLING IN PLASTERBOARD.

1. DRILL 12MMØ HOLE IN JOINERY FOR ELECTRICAL CABLE.
2. IF USING MULTIPLE LENGTHS OF EXTRUSION, SLIDE EXTRUSIONS TOGETHER ON TO JOINER OR BEND PLATE.
3. FEED LED STRIP TAILS (OR CABLE) THROUGH HOLE IN EXTRUSION AND CLAMP USING CORD GRIP SUPPLIED. (SEE FIG. 2). DO NOT INSTALL LED STRIP AT THIS POINT.
4. MAKE ELECTRICAL CONNECTION: CONNECT LED STRIP TAILS TO LED DRIVER (SEE FIG. 3 ON NEXT PAGE IF SUPPLIED WITH MALE/FEMALE CONNECTORS).
5. PUSH EXTRUSION INTO ROUTED SLOT, ENSURING A FIRM FIT (SEE FIG. 1). USE SILICON TO AID FIXATION IF NECESSARY.
6. GO TO STEP 5 ON PAGE 2.

FIG. 1 - ENSURE EXTRUSION IS MOUNTED SECURELY



4 FOR INSTALLATION INTO PLASTERBOARD

1. FEED LED STRIP TAILS (OR CABLE) THROUGH HOLE IN EXTRUSION AND CLAMP USING CORD GRIP SUPPLIED. (SEE FIG. 2). DO NOT INSTALL LED STRIP AT THIS POINT.
2. MAKE ELECTRICAL CONNECTION: CONNECT LED STRIP TAILS TO LED DRIVER (SEE FIG. 3 IF SUPPLIED WITH MALE/FEMALE CONNECTORS).
3. INSERT END CAPS IN TO EXTRUSION.
4. IF USING MULTIPLE LENGTHS OF EXTRUSION, SLIDE EXTRUSIONS TOGETHER ON TO JOINER OR BEND PLATE
5. SCREW FIX EXTRUSION, ENSURING A FIRM CONNECTION (SEE FIG. 4).

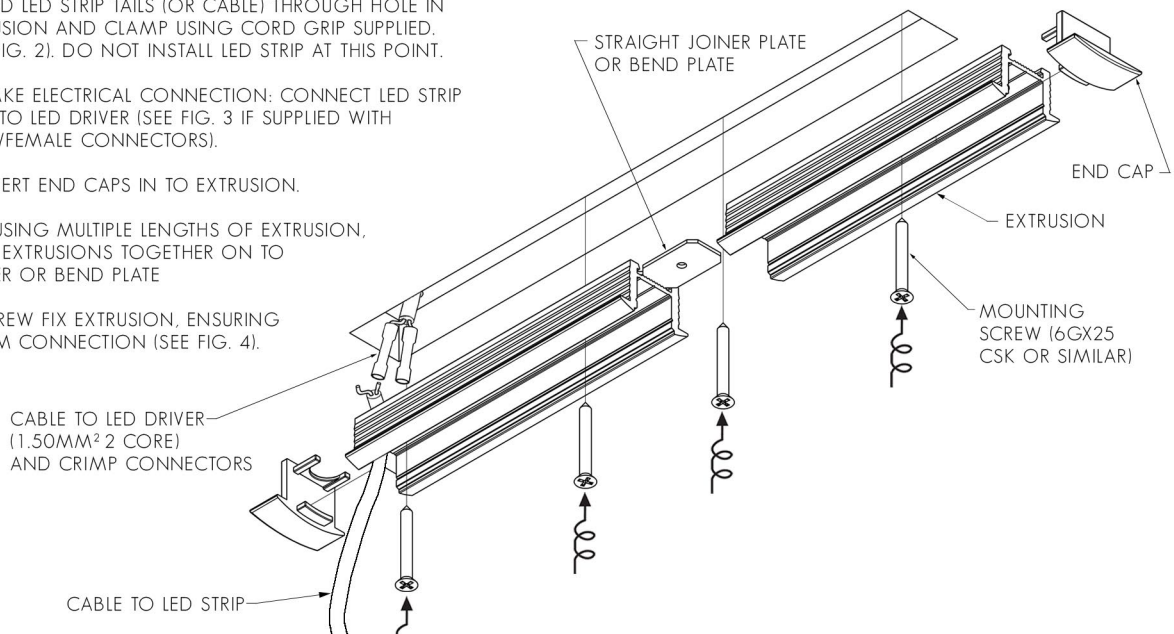
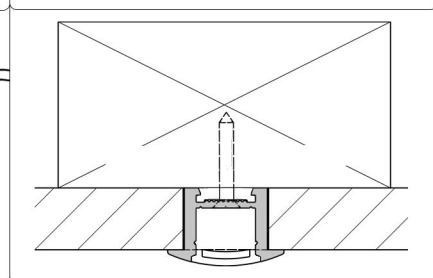
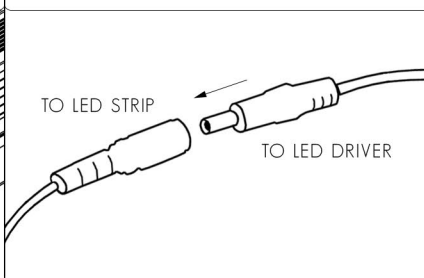
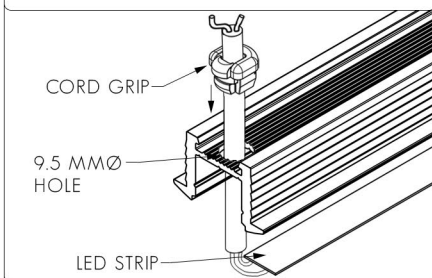


FIG. 2 - FASTEN CABLE USING CORD GRIP

FIG. 3 - MAKE ELECTRICAL CONNECTION

FIG. 4 - ENSURE EXTRUSION IS MOUNTED SECURELY



5 INSTALL LED STRIP AND DIFFUSER

1. **IMPORTANT:** BEFORE MOUNTING LED STRIP, CLEAN EXTRUSION USING AN ALCOHOL BASED CLEANER.
2. REMOVE BACKING FROM LED STRIP TO EXPOSE STICKY SURFACE. LAY LED STRIP INTO EXTRUSION USING THE SMALL GROOVES IN THE BACK OF THE EXTRUSION AS A GUIDE. USE A DAB OF SILICON AT EACH END OF THE LED STRIP TO PREVENT ENDS FROM LIFTING OFF EXTRUSION.
3. CLIP DIFFUSER INTO EXTRUSION, ENSURING A FIRM CONNECTION (SEE FIG. 5).

FIG. 5 - ENSURE DIFFUSER IS MOUNTED SECURELY

