

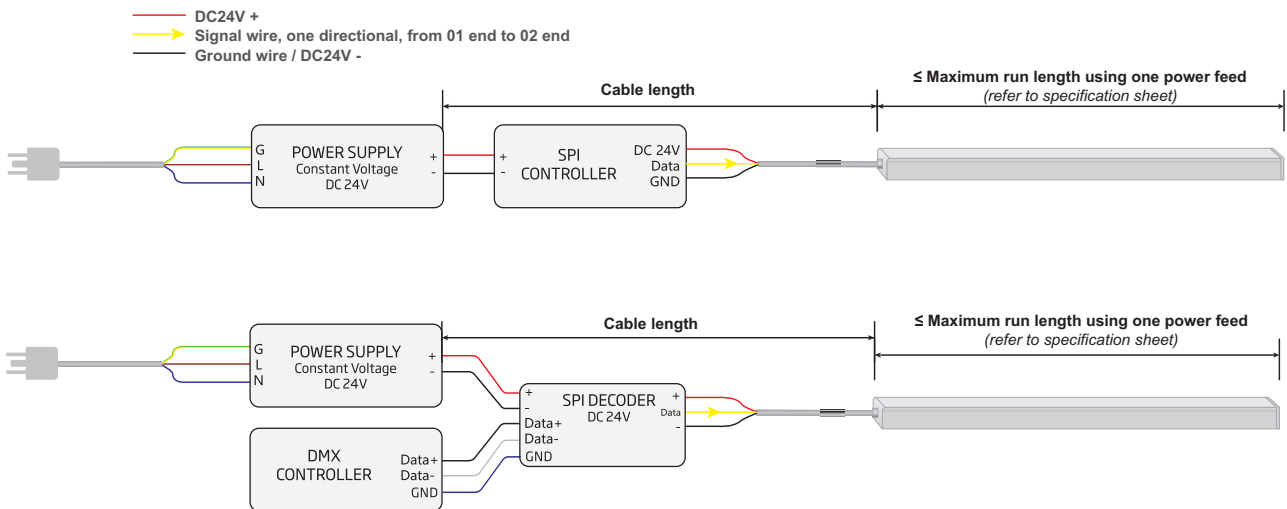
NEON ARC DYNAMIC RGB CHASING

WIRING GUIDE | SPI

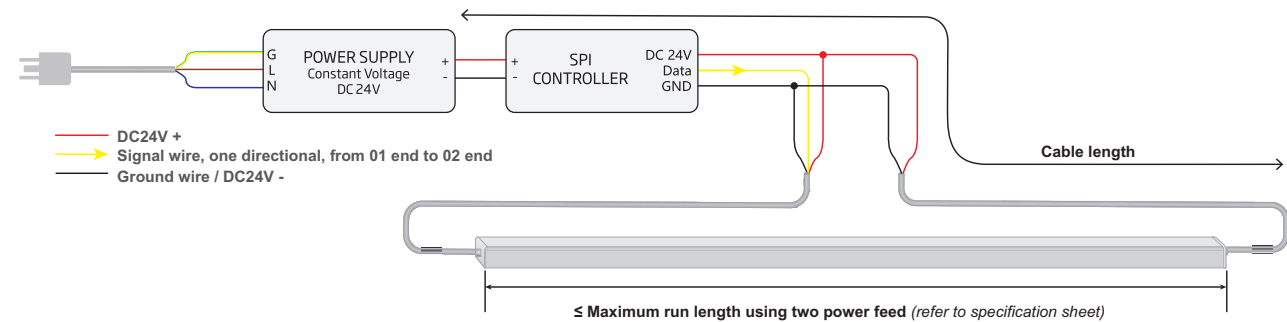
TO AVOID SIGNAL FADING, ENSURE THE OVERALL CABLE LENGTH IS WITHIN THE MAXIMUM SIGNAL TRANSMISSION DISTANCE ACCORDING TO THE SPECIFICATION OF CONTROLLER/DECODER

- A compatible decoder or controller that outputs SPI signal is required for this product with UCS2903 or UCS2904 IC inside.
- The number of pixels light used should not exceed the maximum number of pixels of controller/decoder.
- Signal must always run in one direction, from 01 end to 02 end of light.

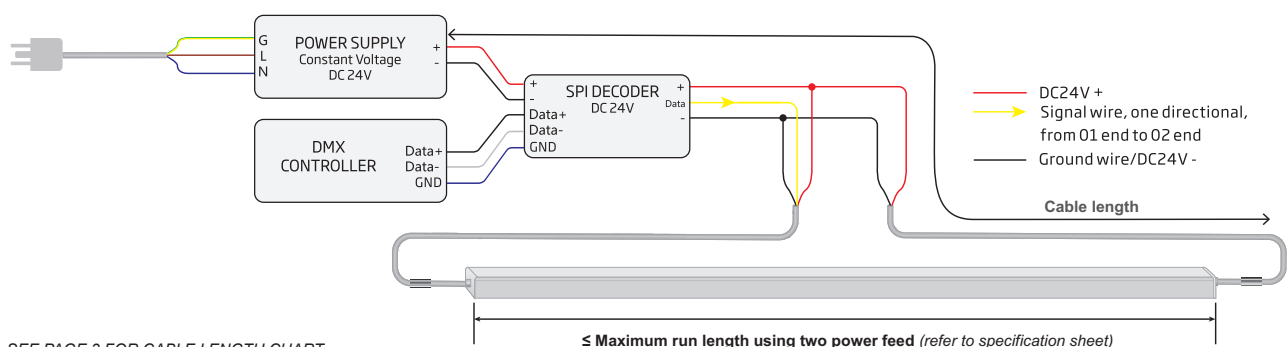
SINGLE END FEED STANDARD CONTROL



DOUBLE END FEED STANDARD CONTROL



DMX CONTROLLER VIA SPI DECODER



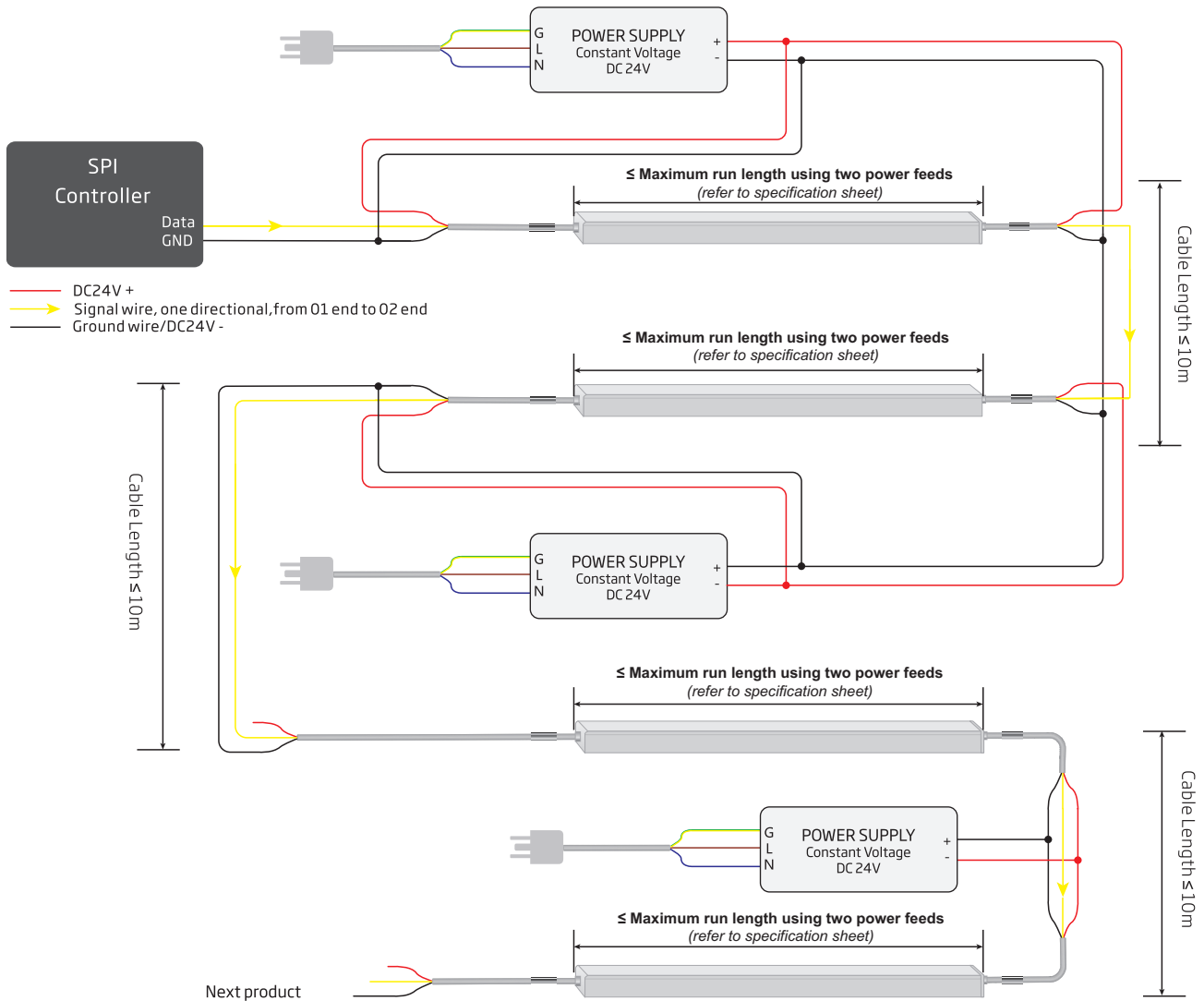
SEE PAGE 3 FOR CABLE LENGTH CHART

NEON ARC DYNAMIC RGB 'CHASING' | WIRING GUIDE | SPI

TO AVOID SIGNAL FADING, ENSURE THE OVERALL CABLE LENGTH IS WITHIN THE MAXIMUM SIGNAL TRANSMISSION DISTANCE ACCORDING TO THE SPECIFICATION OF CONTROLLER/DECODER

DOUBLE END FEED

SPI CONTROL OF MULTIPLE LENGTHS



READ ME

Ensure the polarity is correct on both ends! A short circuit might occur if powering the light from both ends with reverse polarity.

It is not recommended to feed both ends of light with two separated power supplies, to prevent resulting overloading and overheating if one power supply fails.

SEE PAGE 3 FOR CABLE LENGTH CHART

