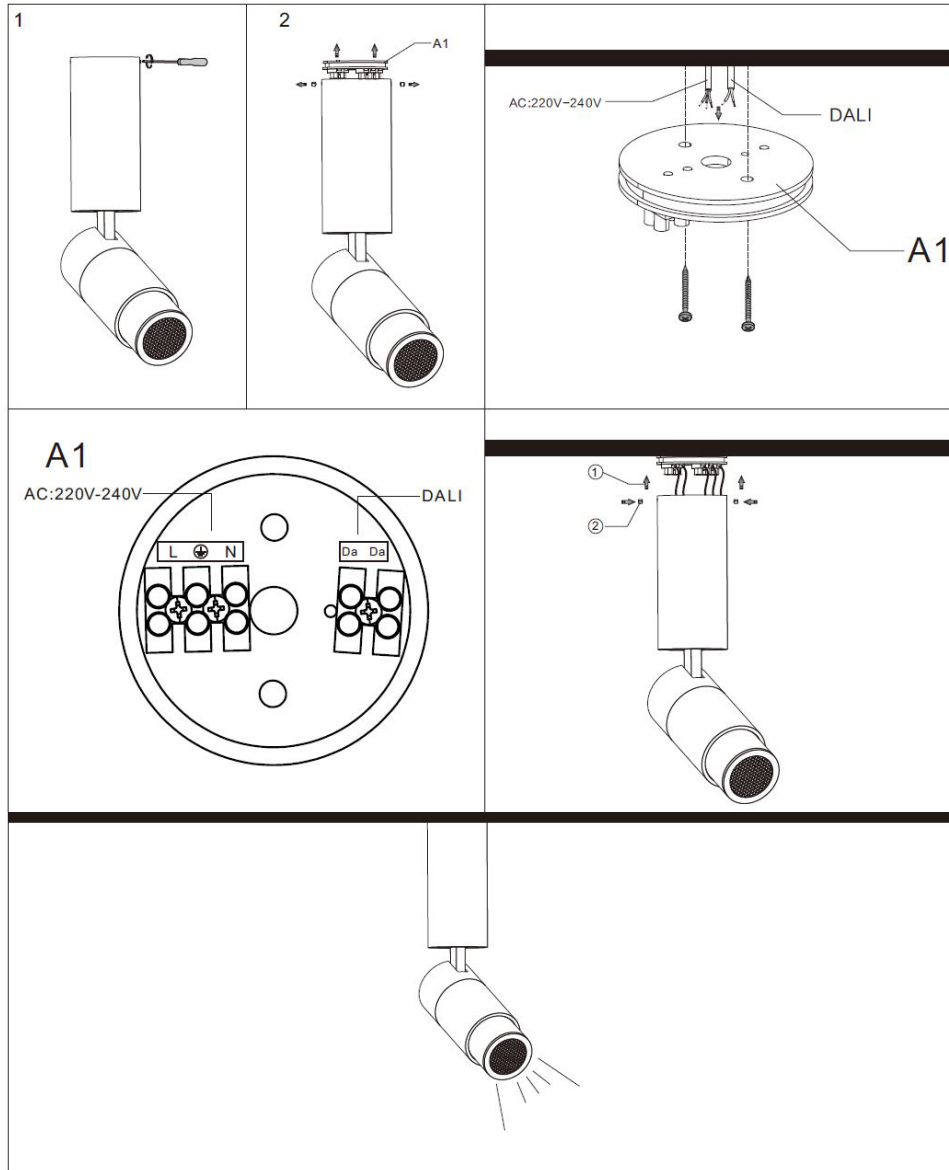



# INSTALLATION INSTRUCTIONS TANTALUM SURFACE MOUNTED

## INSTALLATION INSTRUCTIONS



## WARNINGS

- THE MAXIMUM RATING OF THE LED HEAD MODULE IS INDICATED ON THE LABEL VISIBLE AFTER TWISTING OFF THE LED HEAD MODULE
- DON'T REPLACE ANY ACCESSORIES OR WORK ON LUMINAIRE WHILE VOLTAGE IS PRESENT ON THE FIXTURE.
- THIS LUMINAIRE IS SUITABLE FOR INDOORS ONLY.
- UNDER NO CIRCUMSTANCES, CAN THE LUMINAIRE BE COVERED WITH HEAT INSULATION GASKET OR SIMILAR MATERIALS.
- THE LIGHT SOURCE CONTAINED IN THIS LUMINAIRE SHALL ONLY BE REPLACED BY THE MANUFACTURER OR LOCAL DISTRIBUTOR OR SIMILAR QUALIFIED PERSON IN ORDER TO AVOID HAZARDS.
- TO AVOID POTENTIAL LAMP FAILURE, THE LUMINAIRE SHOULD BE SWITCHED OFF AT LEAST ONCE A WEEK.
- WARNING - RISK OF ELECTRIC SHOCK 
- LED MODULE RISK GROUP ONE
- THE MAXIMUM PERMISSABLE AMBIENT TEMPERATURE  $T_a$  OF THE LUMINAIRE MAY NOT BE EXCEEDED. EXCEEDING THIS TEMPERATURE REDUCES THE SERVICE LIFE AND, IN EXTREME CASES, EARLY FAILURE CAN OCCUR.
- WHEN CHANGING THE GEARBOX CURRENT RATING, ENSURE THAT THE SETTING OF THE GEARBOX DO NOT EXCEED THE MAXIMUM RATING OF THE LED HEAD MODULE
- LED CHIP IS NOT END-USER REPLACEABLE.
- TURN POWER OFF BEFORE INSTALLING/REMOVING THE LUMINAIRE.

