

HELIUM MAJOR DOWNLIGHT



APPLICATIONS

- Commercial
- Offices
- Hallways
- Retail
- Hospitality

FEATURES

- Excellent heat dissipation with a re-engineered heat sink
- Lens based optical system for superior beam control
- Setback light source with black internal ring for low glare
- High quality Bridgelux LED
- Locally sourced driver
- The black baffle helps reduce glare, while the white blends into the ceiling

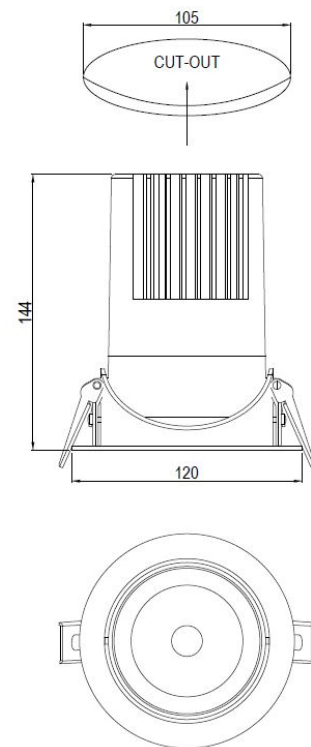
TECHNICAL DATA

LED WATTS	22W 27W 32W 36W
COLOUR TEMP	2700 K 3000 K 4000 K
LUMENS	2000lm 2500lm 3000lm 3500lm
IP RATING	IP44
BEAM ANGLE	15° 24° 36° 52°
TILTING ANGLE	20° adjustable
CRI	> 90
MOUNTING	Recessed
MATERIALS	Aluminium
OPERATING TEMP	-20°C ~ 40°C
INSULATION CONTACT RATING	IC-4
SERVICE LIFE	L90 B10 = 50.000 hrs
DIMMING	Non-dim DALI dim Phase Cut Bluetooth dim
DIMENSIONS	ø 120 mm x 144 mm
WARRANTY	5 Years
CUTOUT	ø 105 mm

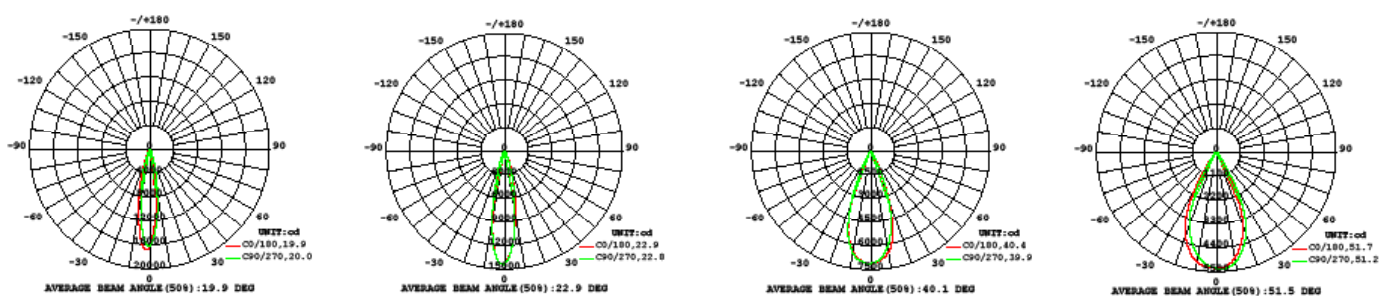
TRIM FINISH



BAFFLE (INNER TRIM)



POLAR CURVES



HELIUM MAJOR DOWNLIGHT



LUMEN SELECTION

HELM - [] - [] - [] - [] - [] - []

POWER	CCT	BEAM ANGLE	TRIM	BAFFLE FINISH	DIMMING
22 - 22W	27 - 2700K	15	WH	WH	PD - Phase Cut
27 - 27W	30 - 3000K	24	BL	BL	DD - DALI
32 - 32W	40 - 4000K	36	GR		BT - Bluetooth
36 - 36W		52			

An example:

HELM - 30 - 40 - 15 - BL - BL - BT