

APPLICATION

- Residential
- Commercial
- Hallways
- Retail

FEATURES

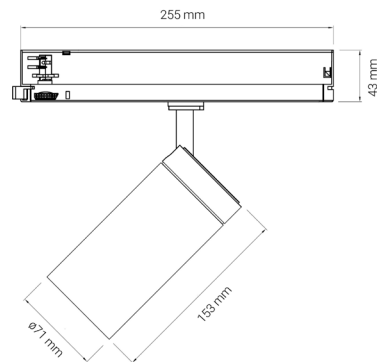
- Sleek minimalism design with concealed reflector
- Aluminium construction with matte powdercoat
- In track slimline driver for DALI dimmable fixtures
- Honeycomb, elliptical and glareshield lens accessories
- Interchangeable reflector system
- High quality Bridgelux LED

TECHNICAL DATA

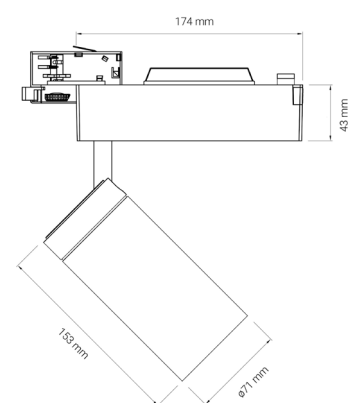
LED WATTS	15.5 W 25 W
COLOUR TEMP	3000 K, 4000 K
LUMENS	1350 lm 2200 lm
IP RATING	IP20
BEAM ANGLE	15°, 24°, 40°
TILTING ANGLE	Horizontal 350° Vertical 90°
CRI	> 90
MOUNTING	3 Circuit Track DALI Track
MATERIALS	Aluminium
OPERATING TEMP	-20°C ~ 40°C
SERVICE LIFE	L90 B10 = 50,000 hrs
DIMMING	DALI dim Phase Cut
DIMENSIONS	ø 71 mm x 153 mm
WARRANTY	5 Years
FINISH	<div style="display: flex; align-items: center; gap: 10px;"> <div style="text-align: center;"> White </div> <div style="text-align: center;"> Black </div> </div>

Note: other colour temperatures are available on request

DALI Track



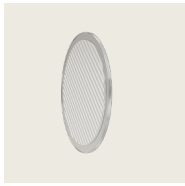
3C Track



ACCESSORIES



HC - Honeycomb lens



EL - Elliptical lens



GS - Glareshield

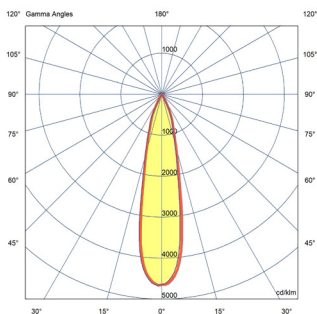
LUMINAIRE SELECTION

TAN	-		-		-		-		-		-	
POWER		CCT		BEAM ANGLE		FINISH		DIMMING		ACCESSORY (optional)		
15 - 15W		3 - 3000K		40		WH		PD - Phase Cut		HC - Honeycomb		
25 - 25W		4 - 4000K		24		BL		DD - DALI		EL - Elliptical		
				15						GS - Glareshield		

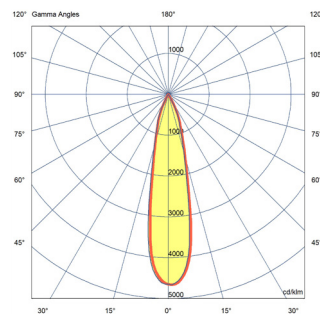
An example:

TAN	-	15	-	4	-	40	-	BL	-	DD	-	GS
------------	---	-----------	---	----------	---	-----------	---	-----------	---	-----------	---	-----------

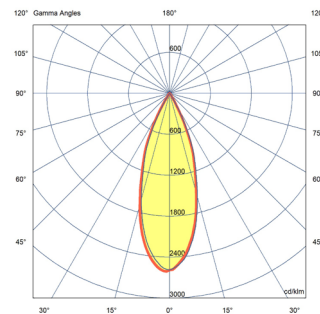
POLAR CURVES



15° beam angle polar curve shown



24° beam angle polar curve shown



40° beam angle polar curve shown